

NOSE BRACKET

3/8" X 3/4" MACHINE BOLT W/ WASHER
 K-26 BRACES
 (EXACT ARRANGEMENT VAR.)

3/8" x 1 3/4"
 MACHINE
 BOLTS

24" DIA. CONCRETE PIER
 (CROWN FOR DRAINAGE)

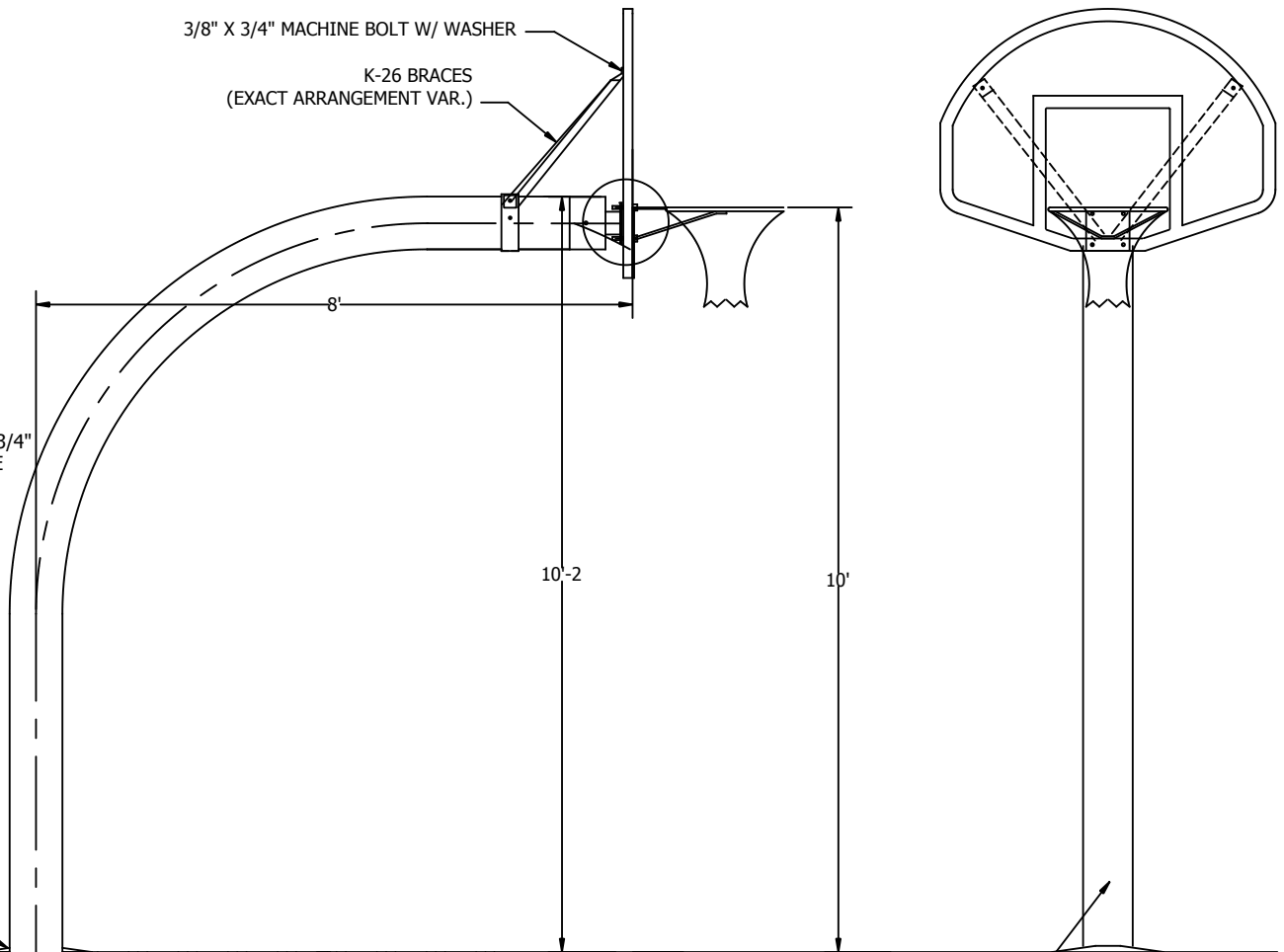
APPX. 6'+

8" BAND W/WELDED
 STUB TO PREVENT
 TURNING IN CONCRETE
 COMPLETE W/SET SCREWS
 TYP. OF 3

G88-AB-1

WITH FAN-SHAPED ALUMINUM BACKBOARD

SEE INSTALLATION SHEET BEFORE SETTING POST



8" OD STANDARD GALVANIZED PIPE

 AALCO MANUFACTURING COMPANY 1650 AVENUE "H" ST. LOUIS, MO 63125 1-314-544-4300 1-800-537-1259 FAX: 1-314-544-2386 www.aalcomfg.com		PROJECT	
		CITY/STATE	
		ARCHITECT	
		DEALER	
CONTRACTOR		JOB NO	
REVISIONS		DATE	
BY		SHEET	
SCALE		DRAWN BY	
NTS		P. POHRER	
SPEC SECTION 11480			

M1/