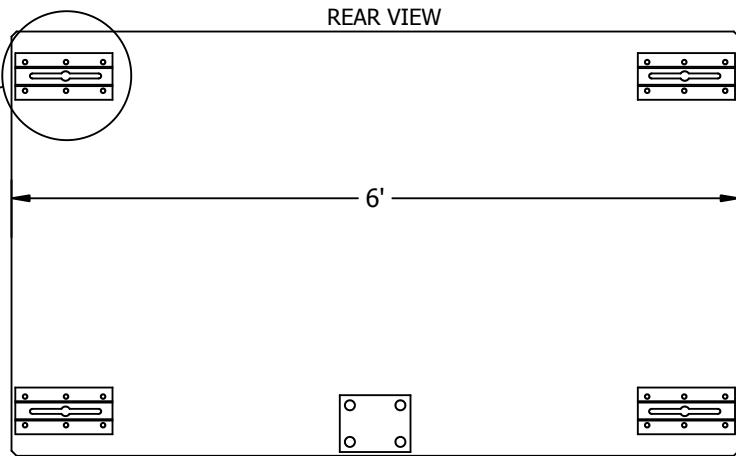
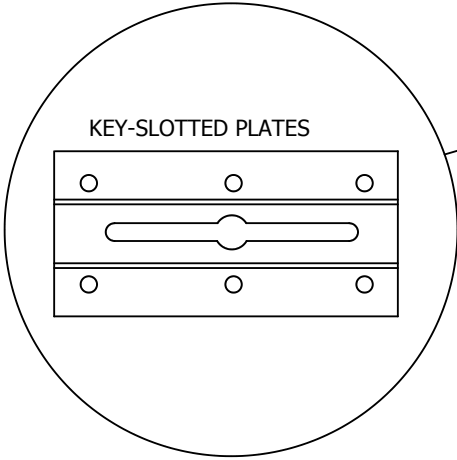
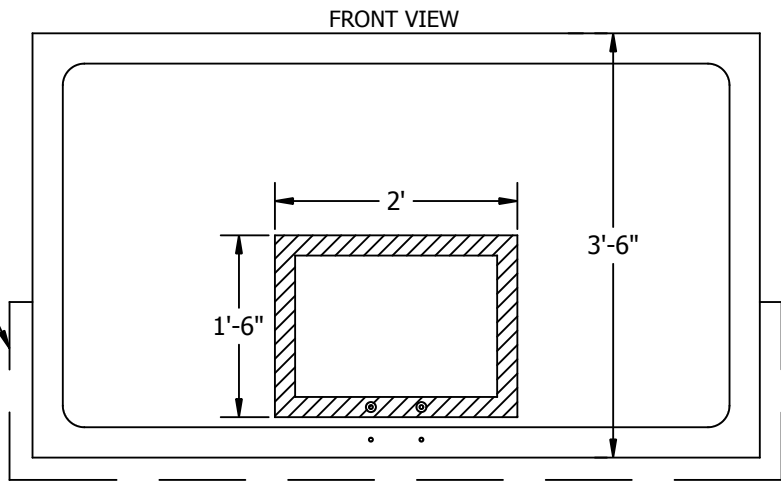


PAD FOR MODEL 901S



#901S RECTANGULAR FIBERGLASS BACKBOARD

- ONE-PIECE FIBERGLASS, RESIN-TRANSFER MOLD CONSTRUCTION
- SOLID RESINATED WATERPROOF WOOD CORE - TOTAL THICKNESS 1-1/2"
- ORANGE BORDER AND TARGET INLAYED DURING MOLDING PROCESS
- KEY-SLOTTED CORNER BRACKETS
- LIMITED LIFETIME WARRANTY WHEN USED WITH DIRECT MOUNTING

PGPP PROTECTION PAD

AALCO'S OPTION TO ORDINARY PADDING. SEE SEPARATE SHEET FOR DETAILS

#901S** # REQ'D

PGPP # REQ'D

M1/

<p>AALCO MANUFACTURING COMPANY 1650 AVENUE "H" ST. LOUIS, MO 63125 1-314-544-4300 1-800-537-1259 FAX: 1-314-544-2386 www.aalcomfg.com</p>		PROJECT			
		CITY/STATE			
		ARCHITECT			
		DEALER			
		CONTRACTOR			
REVISIONS		BY	SCALE	DRAWN BY	DATE
			NTS	P. POHRER	
			SPEC SECTION 11480		SHEET