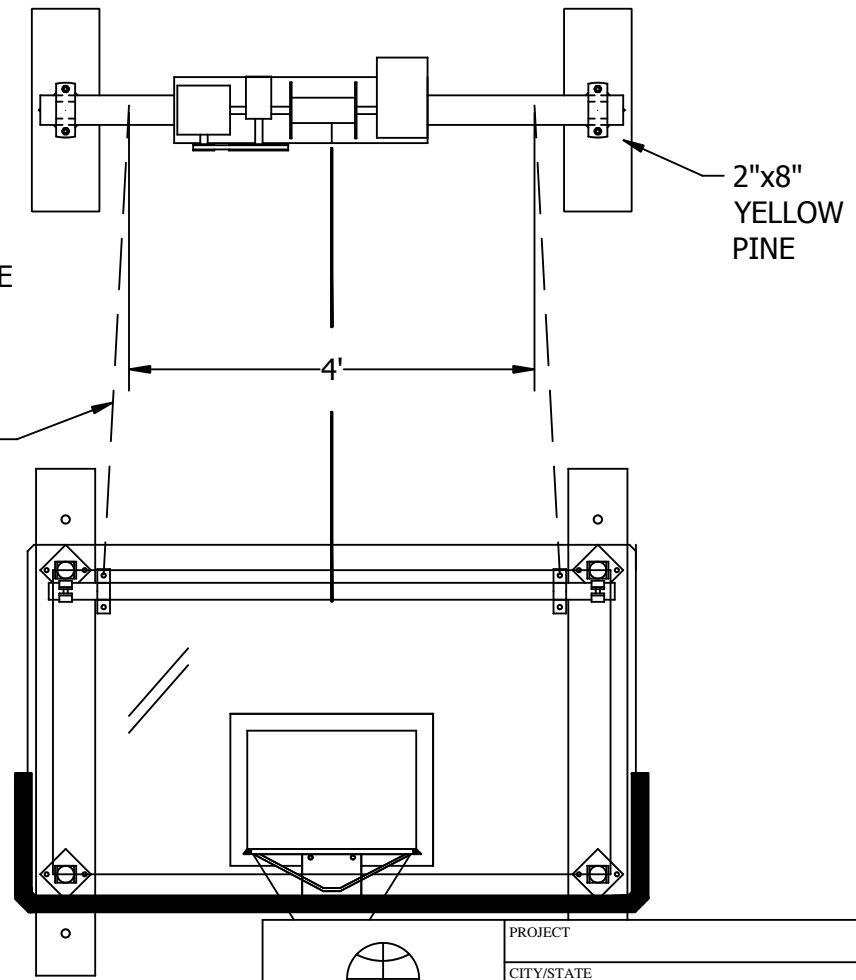
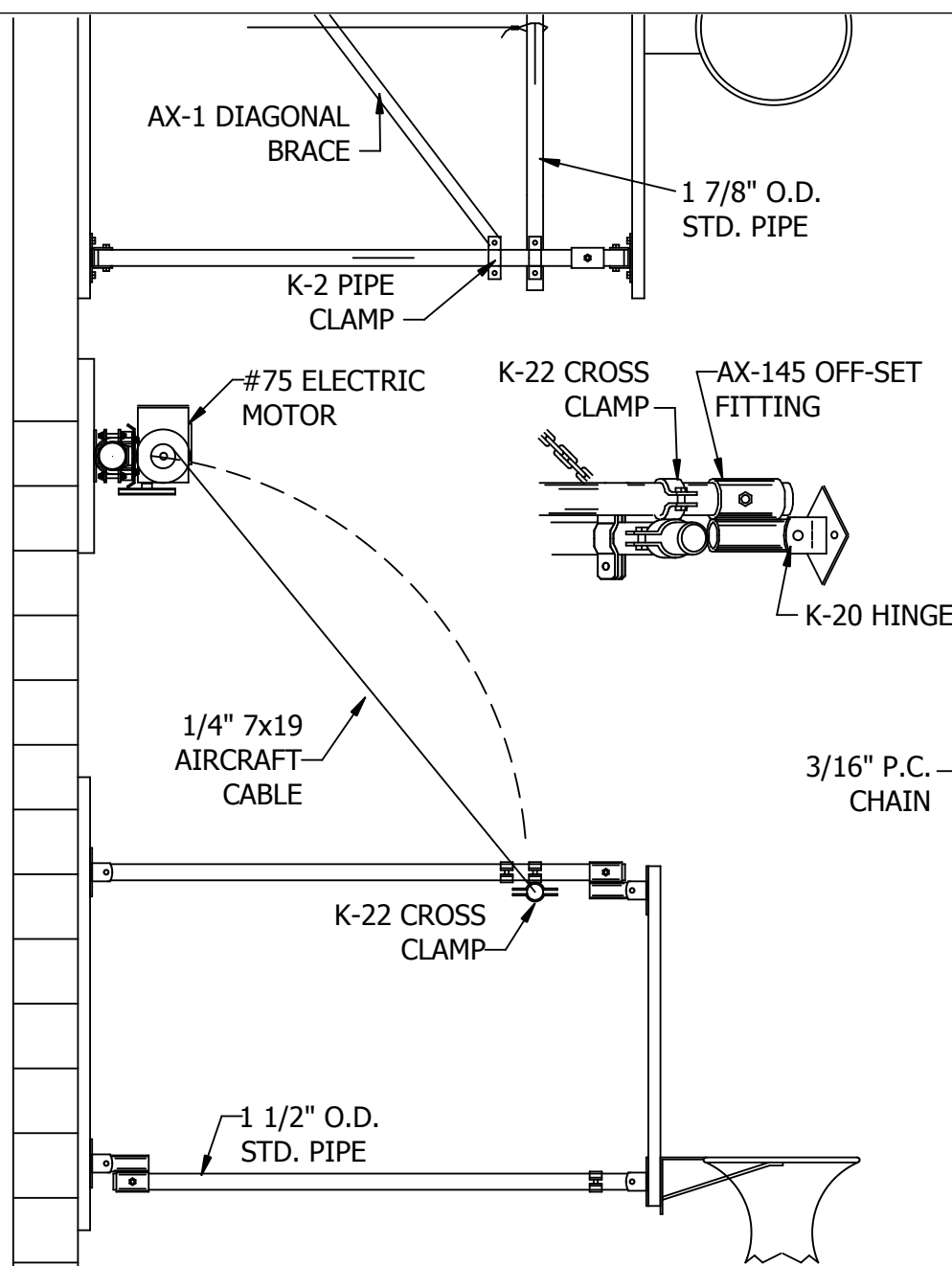



MODEL 24WS SWING UP WALL MOUNT

(#) REQ'D



DESIGN PURPOSES ONLY

 AALCO MANUFACTURING COMPANY 1650 AVENUE "H" ST. LOUIS, MO 63125 1-314-544-4300 1-800-537-1259 FAX: 1-314-544-2386 www.aalcomfg.com		PROJECT	
		CITY/STATE	
		ARCHITECT	
		DEALER	
		CONTRACTOR	
JOB NO		DATE	
REVISIONS	BY	SCALE	DRAWN BY P. POHRER
			SHEET
SPEC SECTION 11480			