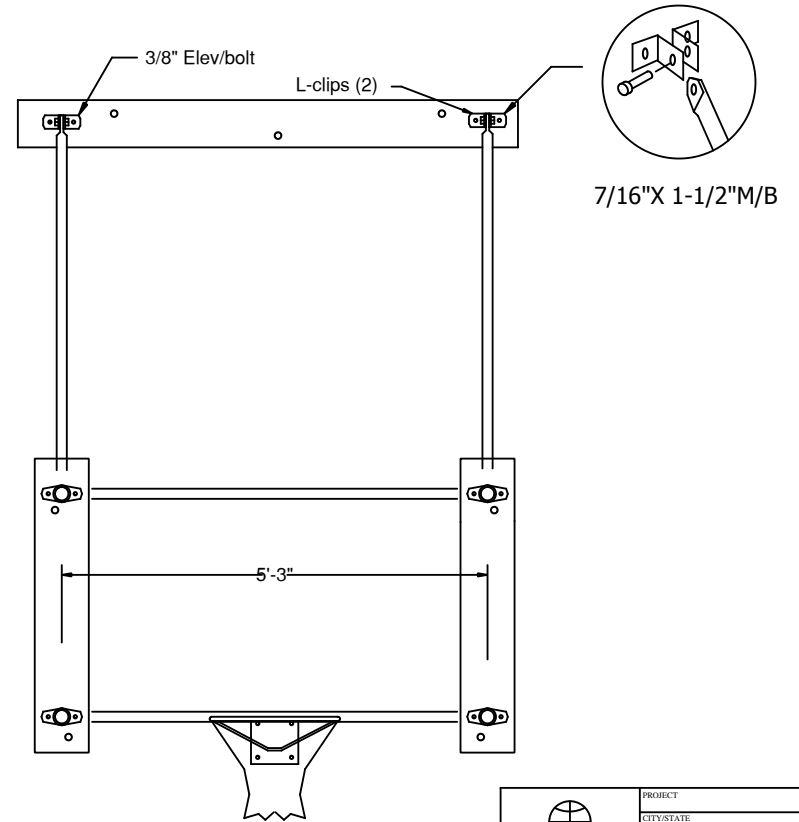
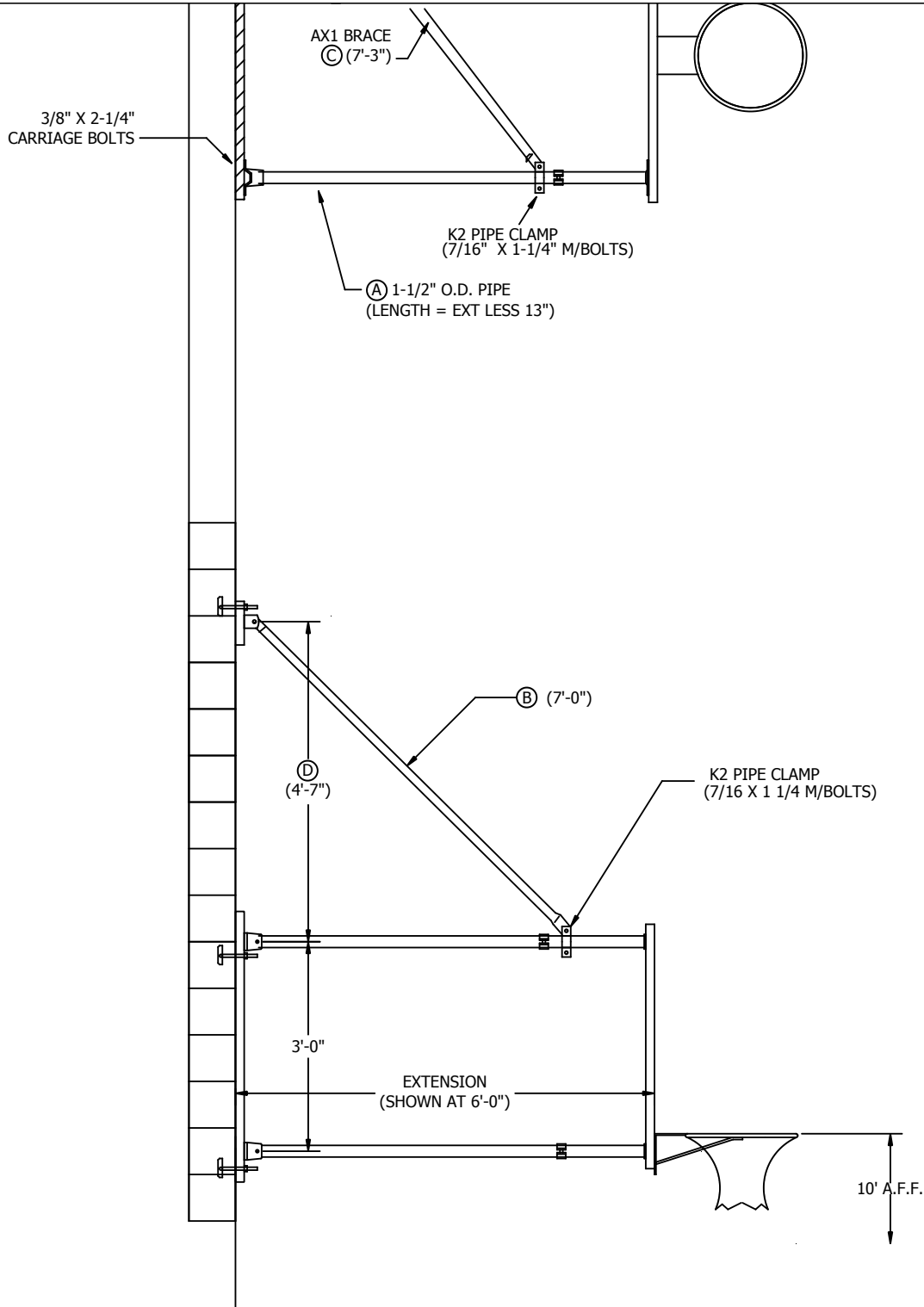


#20SW FIXED WALL MODEL  
 ( # REQ'D WITH # EXT.)



<p><b>AALCO</b>          MANUFACTURING COMPANY          1650 AVENUE 'H'          ST. LOUIS, MO 63125          1-314-544-4300          1-800-537-1259          FAX: 1-314-544-2386          www.aalcomfg.com</p>		PROJECT	
		CITY/STATE	
		ARCHITECT	
		DEALER	
		CONTRACTOR	
		JOB NO	
		DATE	
REVISIONS	BY	SCALE	DRAWN BY
		1/2"=1'	P. POHRER
		SHEET	
		SPEC SECTION 11480	