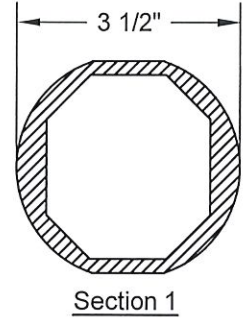
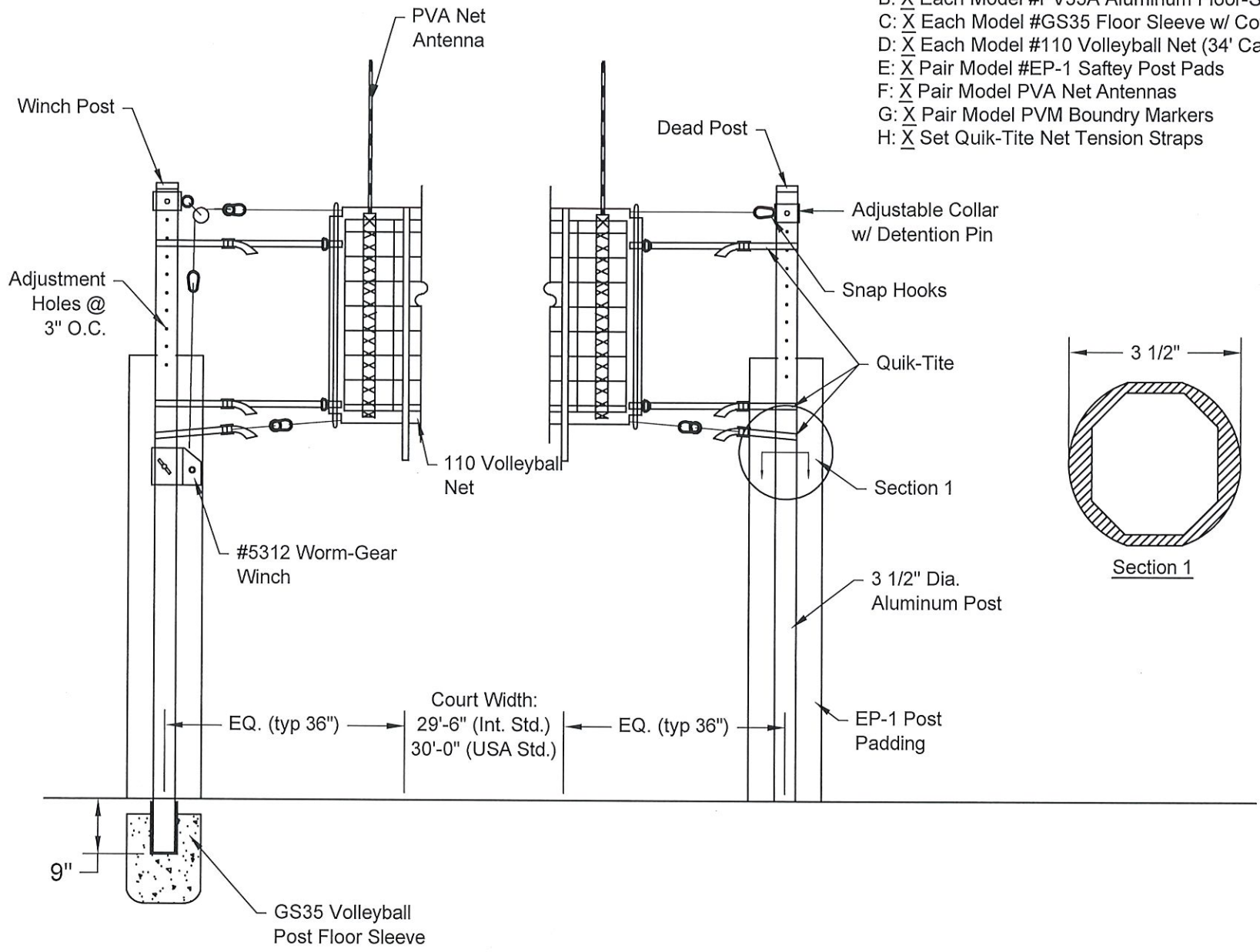



- A: Pair Model #PV35A Aluminum Floor-Sleeve End Posts
- B: Each Model #PV35A Aluminum Floor-Sleeve Center Posts
- C: Each Model #GS35 Floor Sleeve w/ Cover Plates
- D: Each Model #110 Volleyball Net (34' Cable)
- E: Pair Model #EP-1 Safety Post Pads
- F: Pair Model PVA Net Antennas
- G: Pair Model PVM Boundry Markers
- H: Set Quik-Tite Net Tension Straps



X REQUIRED MODEL #PV35A
SCALE: 1/2"=1'-0"

DRAWN: John Buese	PROJECT NAME:	
DATE: 11/27/2019	ADDRESS:	
P.O. NUMBER:	CONTRACTOR:	
	ARCHITECT:	
 QUALITY ATHLETIC EQUIPMENT 1402 AVENUE H - ST. LOUIS, MO 63125 WWW.AAALCO.COM (314) 337-4208 SINCE 1976	SHEET SIZE: 8.5"x11"	DESCRIPTION: PV35A Aluminum Volleyball System
	PROJECT NO.:	
PATH: Z:\1111		SHEET: 0