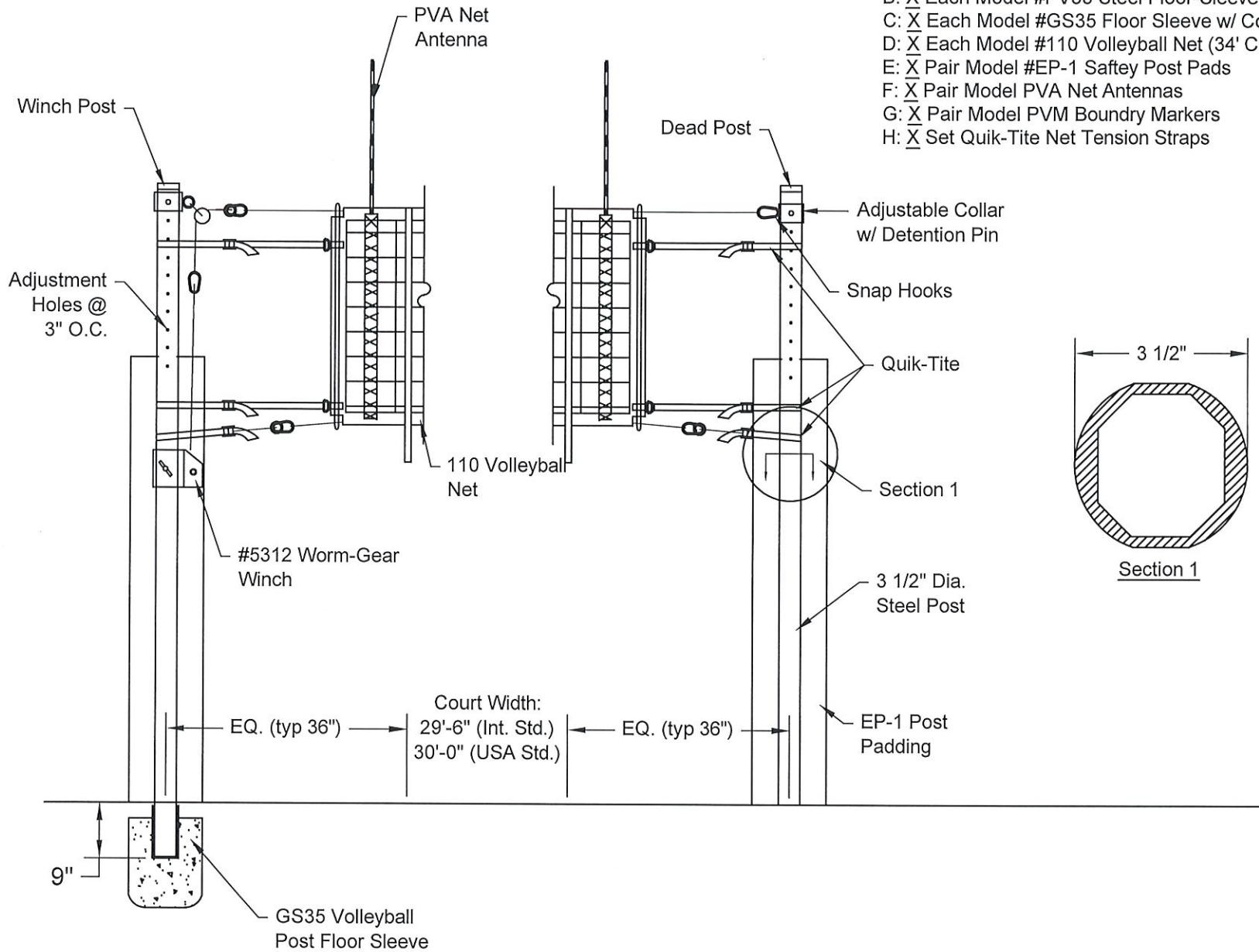


- A: Pair Model #PV35 Steel Floor-Sleeve End Posts
- B: Each Model #PV35 Steel Floor-Sleeve Center Posts
- C: Each Model #GS35 Floor Sleeve w/ Cover Plates
- D: Each Model #110 Volleyball Net (34' Cable)
- E: Pair Model #EP-1 Safety Post Pads
- F: Pair Model PVA Net Antennas
- G: Pair Model PVM Boundary Markers
- H: Set Quik-Tite Net Tension Straps



X REQUIRED MODEL #PV35

SCALE: 1/2"=1'-0"

DRAWN: John Bliese		PROJECT NAME:	
DATE: 11/27/2019		ADDRESS:	
P.O. NUMBER:		CONTRACTOR:	
ARCHITECT:		ARCHITECT:	
SHEET SIZE: 8.5"x11"		DESCRIPTION: PV35 Steel Volleyball System	
QUALITY ATHLETIC EQUIPMENT 1400 AVENUE H - ST. LOUIS, MO 63125 WWW.AAATCO.COM (503) 333-3208 SINCE 1974		PROJECT NO:	
PATH: Z:\13131		REV: 0	