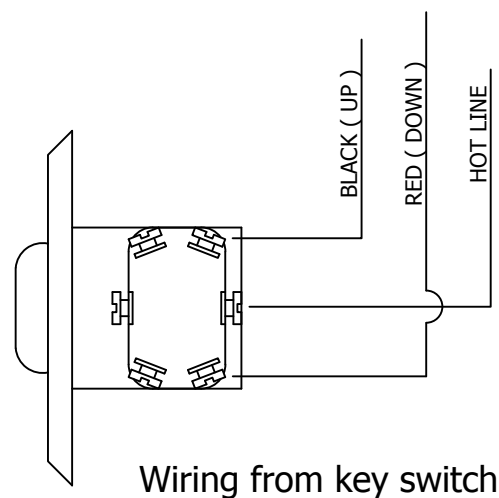
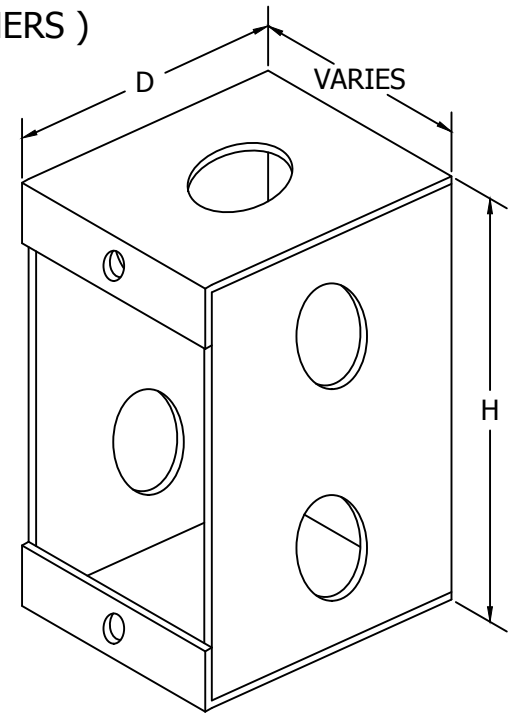


Key-operated, SPDT momentary, center-off control switch (15 amp).



Wiring from key switch

RACO Masonry box - 2-1/2" deep x 3-3/4" high (BY OTHERS)



Horsepower conversion table

15 amp	---	1/2 Horsepower at 120VAC
15 amp	---	2 Horsepower at 240VAC
20 amp	---	1 Horsepower at 120VAC
20 amp	---	2 Horsepower at 240VAC

FEATURES

- Oversized silver, alloy contacts for long life and better heat dissipation.
- Side wired terminals accept #14 - #10 awg copper or copper-clad conductors.
- Fiber terminal insulation barriers standard.
- Can be mounted in standard device boxes or in NEMA 1 sheet steel enclosures.
- Bodies, covers, and toggles molded of durable nylon.
- Single pole-double throw and double pole-double throw.
- Locking switches supplied with dual keys for safety purposes.
- Normally open.

Suggested power service

- 90' Maximum run ----- 12 ga.
- 90' to 140' ----- 10 ga.
- Over 140' ----- 8 ga.

<p>AALCO MANUFACTURING COMPANY 1650 AVENUE "H" ST. LOUIS, MO 63125 1-314-544-4300 1-800-537-1259 FAX: 1-314-544-2386 www.aalcomfg.com</p>		PROJECT	
		CITY/STATE	
		ARCHITECT	
		DEALER	
		CONTRACTOR	
JOB NO		DATE	
REVISIONS	BY	SCALE	DRAWN BY
		NTS	P. POHRER
		SHEET	
SPEC SECTION 11480			