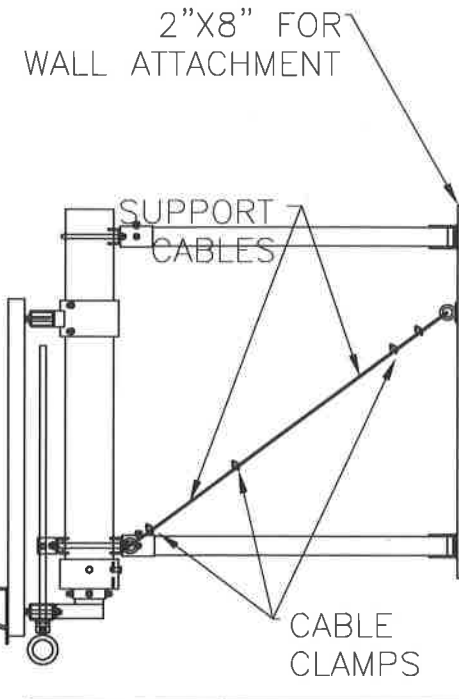
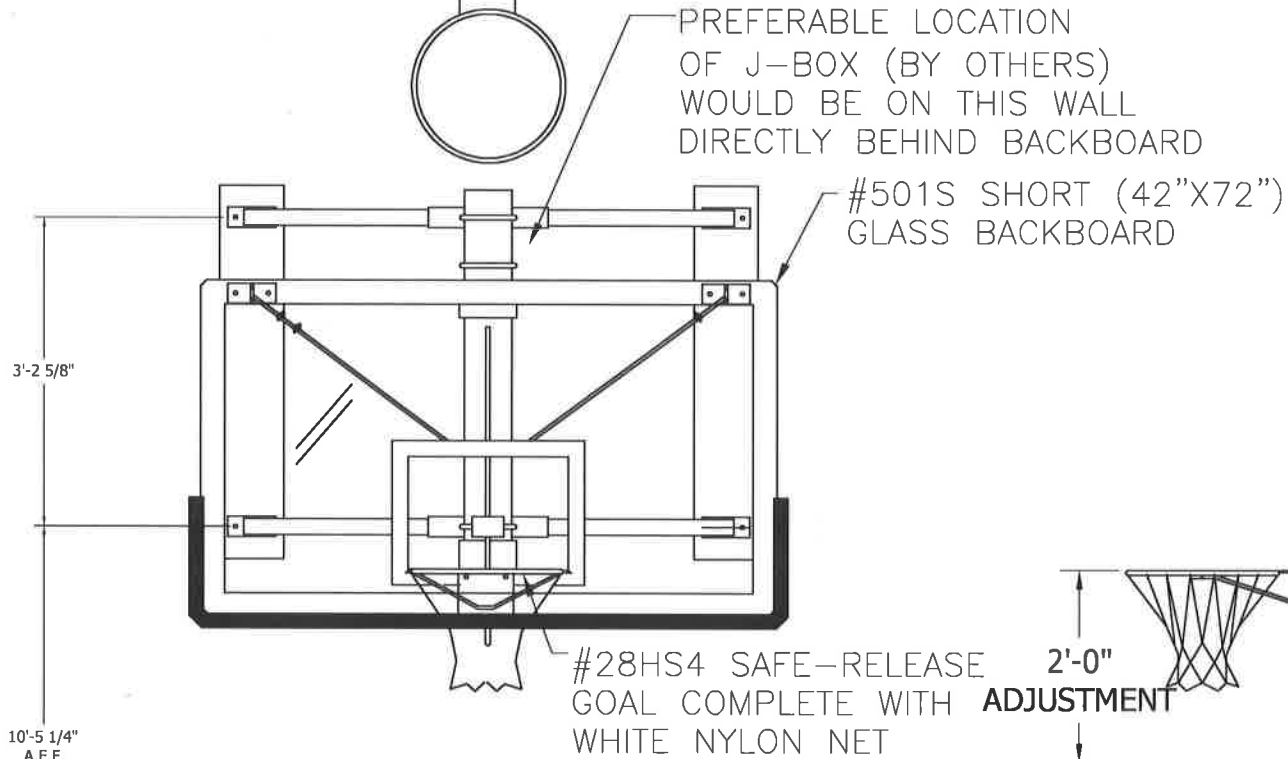
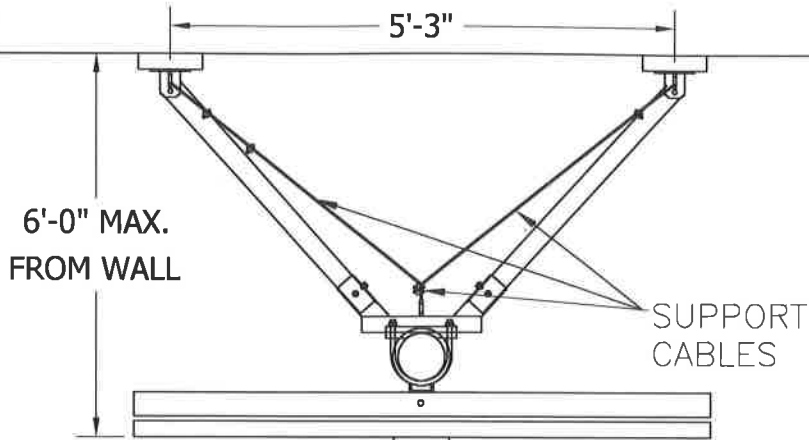


**2000SW-VEE STATIONARY WALL MOUNT
WITH SO-LO GLIDE MANUAL ADJ.
(SHOWN WITH SQUARE BOARD)**



(#) REQ'D @ ___'-___" OFF WALL

<p>AALCO MANUFACTURING COMPANY 1650 AVENUE "H" ST. LOUIS, MO 63125 1-314-544-4300 1-800-537-1259 FAX: 1-314-544-2386 www.aalcomfg.com</p>		PROJECT	
		CITY/STATE	
ARCHITECT		DEALER	
CONTRACTOR		JOB NO	
REVISIONS		DATE	
BY		SCALE	
		1/2"=1'	
		DRAWN BY	
		P. POHRER	
		SHEET	
		SPEC SECTION 11480	