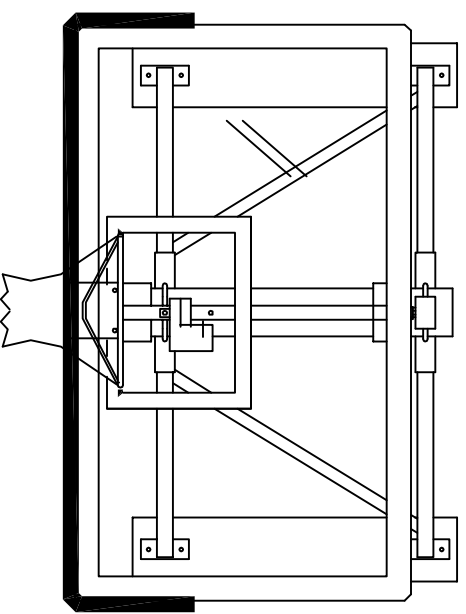
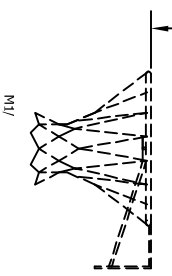
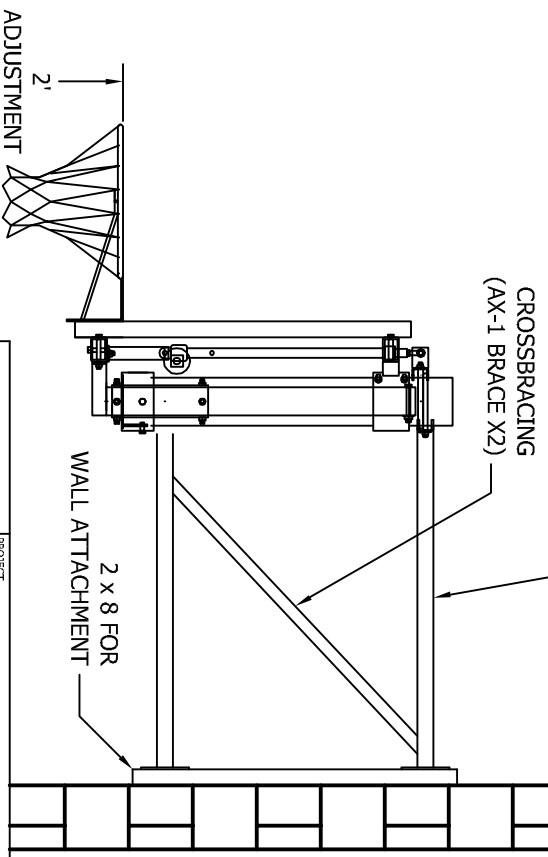
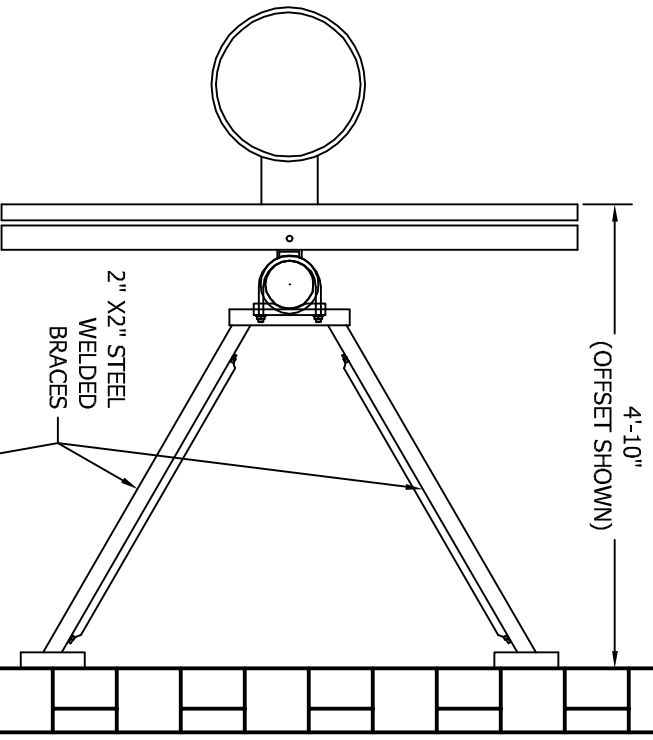


2000SW STATIONARY WALL MOUNT  
 WITH SO-LO GLIDE ELECTRIC ADJ.  
 (SHOWN WITH SQUARE BOARD)



( # ) REQ'D



		<b>AMCO</b> MANUFACTURING COMPANY 1600 AVENUE C ST. LOUIS, MO 63125 1-314-544-4300 1-800-537-1259 FAX: 1-314-544-2366 www.amcoeng.com	
PROJECT	CITY/STATE	ARCHITECT	DATE
CONTRACTOR	SCALE	DRAWN BY	SHEET
JOB NO.	NTS	MLJ	MLJ
REVISIONS	BY	SPEC SECTION 11480	