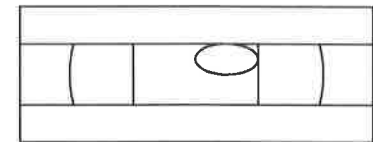
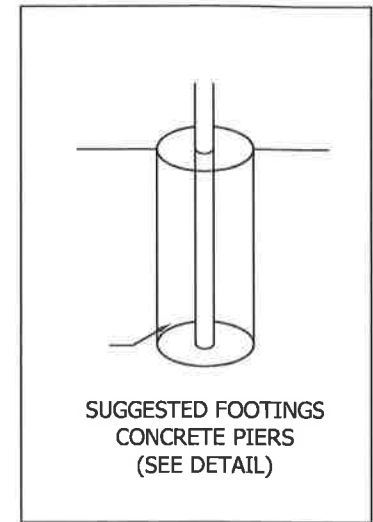
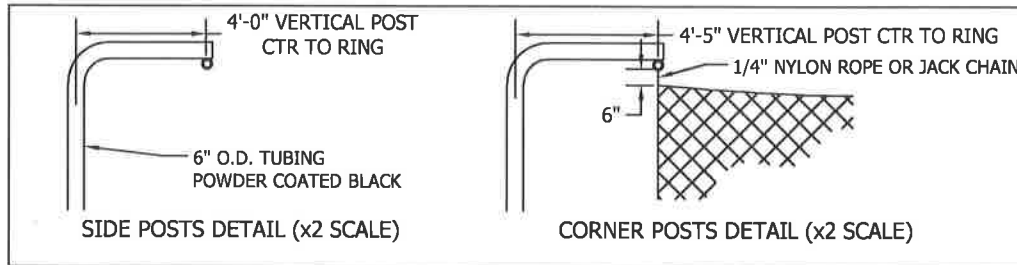


SUGGESTED
SLAB OFFSET
12" FROM
NET BORDER



*****BUBBLE ON
LEVEL SHOULD BE
ON LINE*****

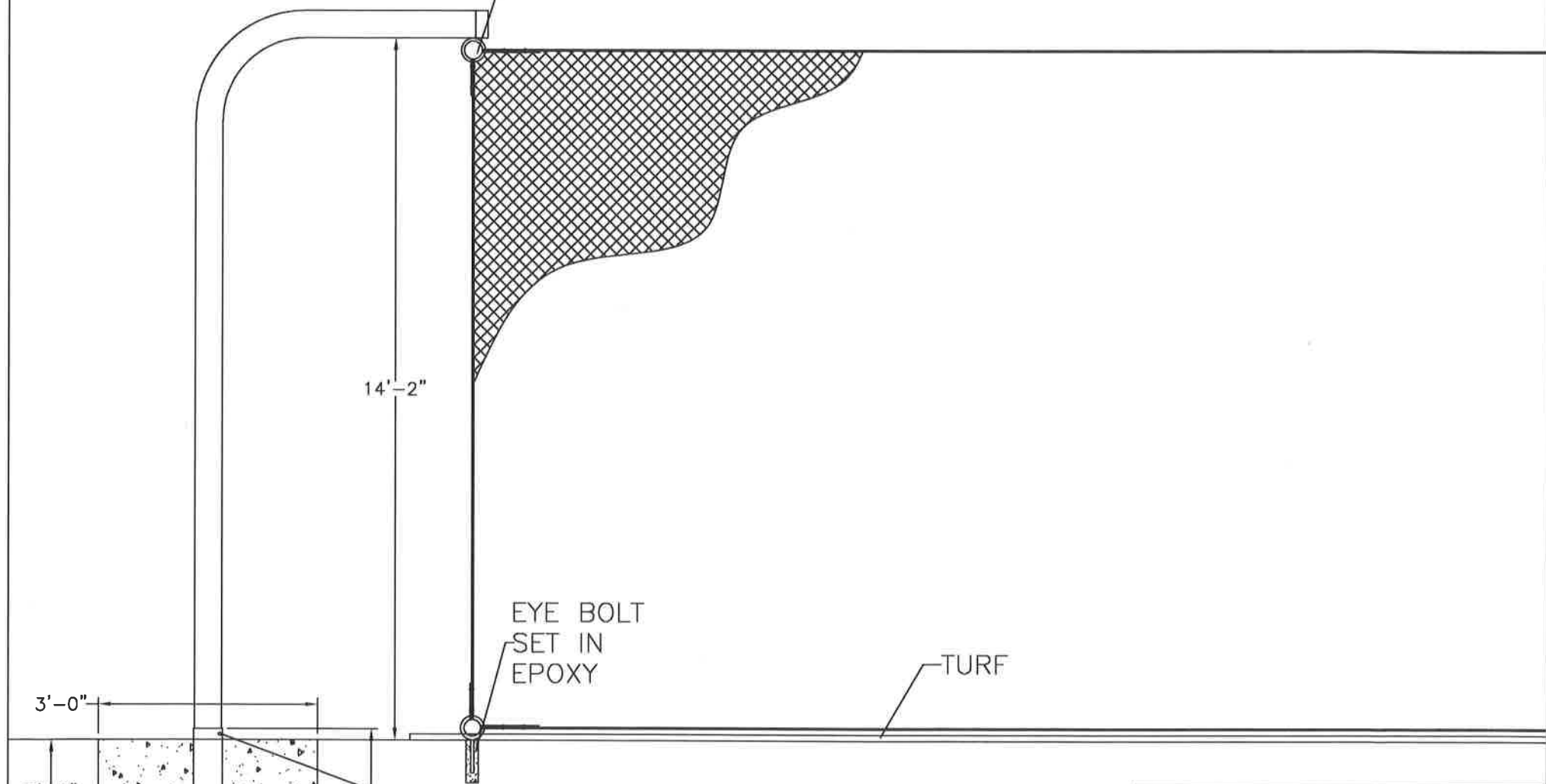
**NEED TO INSTALL
POLES LEANING
SLIGHTLY OUT OF
PLUMB, WHERE
POST IS LEANING
AWAY FROM NET.**

**KING KONG CAGE - 14' X 70' TRIPLE
(#) REQ'D**

**NOTE: DUE TO EXTREME SNOW AND ICE
LOADS THAT CAN ACCUMULATE ON NETS,
IT IS RECOMMENDED TO REMOVE NETS
DURING WINTER MONTHS.**

 1050 AVENUE "E" ST LOUIS, MO 63125 1-314-544-4300 1-800-577-1259 FAX: 1-314-544-2586 www.aalco.com		PROJECT	
		CITY/STATE	
		ARCHITECT	
		DEALER	
		CONTRACTOR	
		JOB NO.	DATE
REVISIONS	BY	SCALE	DRAWN BY
		NTS	P. POHREH
		SPEC SECTION 11480	

ALL CORNERS OF NET NEED
A 1/4" CABLE FROM TOP
TO BOTTOM (NO TURNBUCKLE)



EYE BOLT
SET IN
EPOXY

TURF

14'-2"

3'-0"

7'-0"
FOOTING
DEPTH
(EXTENDS
BELOW)

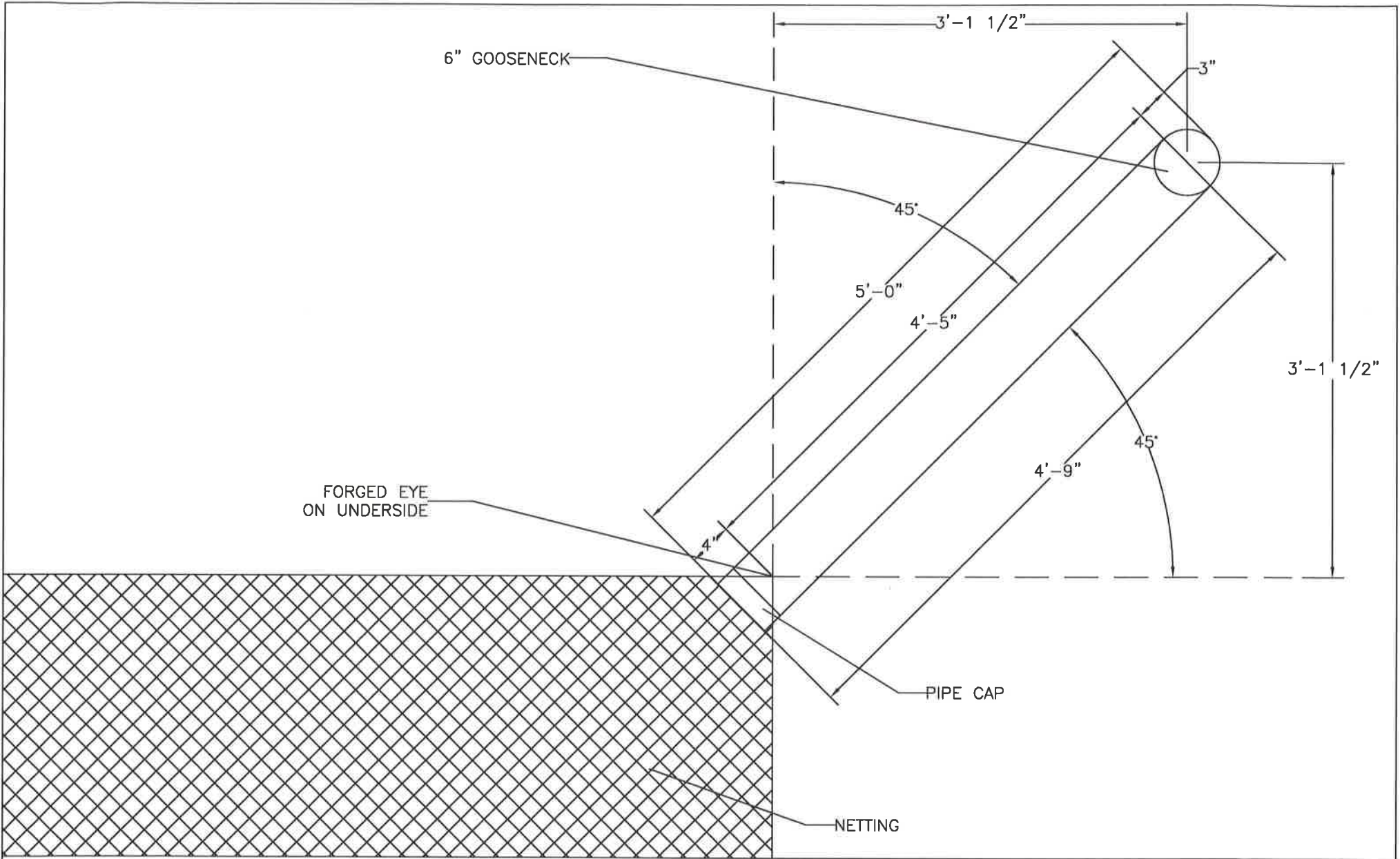
2'-6"
SLEEVE
DEPTH

SET SCREWS TOWARDS FRONT

BATTING CAGE INSTALLATION DETAIL

SCALE: 1/2" = 1'0"

DRAWN BY: P. POHRER DATE DRAWN: 10/03/2012 P.O. NUMBER:	PROJECT NAME: ADDRESS: STREET: CITY/STATE/ZIP: DEALER/CONTRACTOR: ARCHITECT:
	SIZE: 8x11 PROJECT NO.: ORG DESCRIPTION: INSTALLATION DETAIL SCALE: 1/2" = 1'0"
QUALITY ATHLETIC EQUIPMENT SINCE 1948 1828 W. J. ST. LOUIS, MO 63125 Phone: www.aalco.com (800) 337-1229 FILE PATH:	REV: SHEET



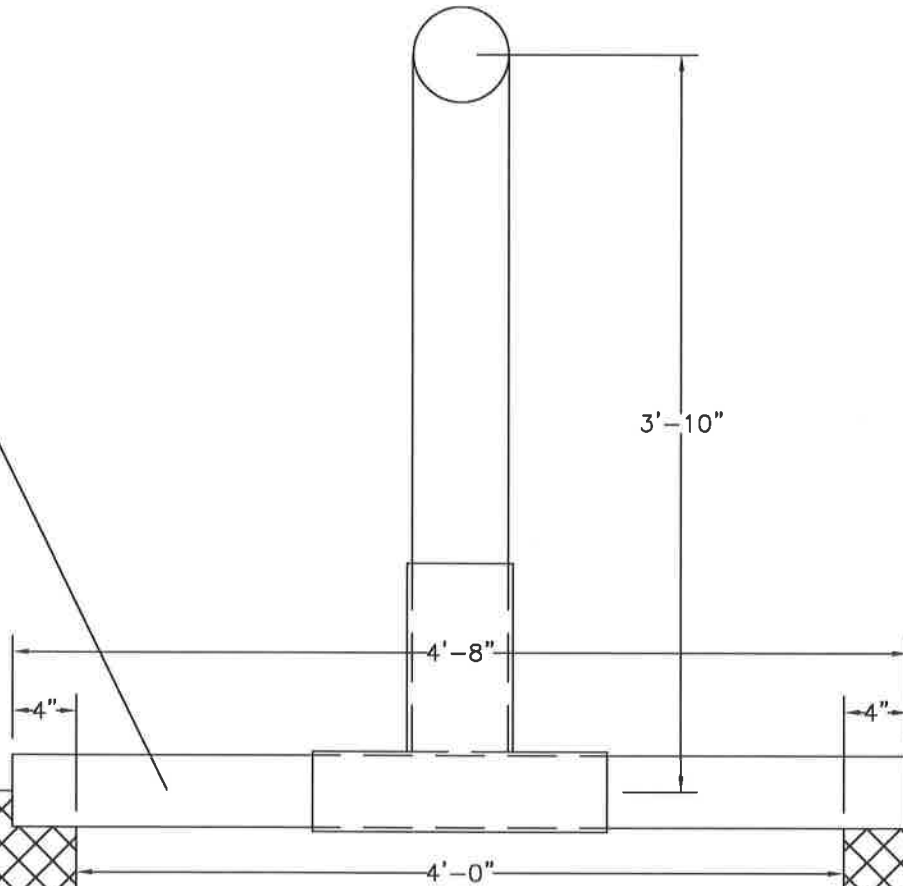
IMPORTANT NOTE:
 THE ARCHITECT, JOB SUPERINTENDENT OR OWNER MUST VERIFY THE LOCATION'S OF ALL GYM EQUIPMENT AALCO MFG. CO. IS TO SUPPLY, EG: BASKETBALL GOAL'S, GYM DIVIDER CURTAIN'S, WRESTLING MAT HOIST'S, BATTING/GOLF CAGE'S & ETC. VERIFICATION OF ALL EQUIPMENT MUST BE MADE BY THE BEFORE ANY FABRICATION MAY BEGIN.
 Approval Signature: X _____
 Printed Name: X _____ Date: _____

OUTDOOR BATTING CAGE CORNER DETAIL

SCALE: 1" = 1'0"

DRAWN BY: P. POHRER		PROJECT NAME:	
DATE DRAWN: 02/12/2013		ADDRESS:	
P.O. NUMBER:		STREET:	
		CITY/STATE/ZIP:	
		DEALER/CONTRACTOR:	
ARCHITECT:		REV:	
SIZE: 8x11	PROJECT NO:	DWG DESCRIPTION:	REV:
SCALE: 1" = 1'0"		SHEET	
<small> QUALITY ATHLETIC EQUIPMENT SINCE 1948 1835 AVE. H ST. LOUIS, MO 63125 Website: www.aalco.com (800) 337-1200 FILE PATH: </small>			

4-1/2" O.D.
SCH 40 PIPE



IMPORTANT NOTE:

THE ARCHITECT, JOB SUPERINTENDENT OR OWNER MUST VERIFY THE LOCATION'S OF ALL GYM EQUIPMENT AALCO MFG. CO. IS TO SUPPLY, EG: BASKETBALL GOAL'S, GYM DIVIDER CURTAIN'S, WRESTLING MAT HOISTS, BATTING/GOLF CAGE'S & ETC. VERIFICATION OF ALL EQUIPMENT MUST BE MADE BY THE BEFORE ANY FABRICATION MAY BEGIN.

Approval Signature: _____
Printed Name: X _____ Date: _____

DOUBLE OUTDOOR BATTING CAGE-CENTER POST

SCALE: 1" = 1'0"

DRAWN BY: P. POHRER		PROJECT NAME:	
DATE DRAWN: 04/08/2014		ADDRESS:	
P.O. NUMBER:		STREET:	
AALCO		CITY/STATE/ZIP:	
QUALITY ATHLETIC EQUIPMENT SINCE 1946		DEALER/CONTRACTOR:	
1050 AVE. H		ARCHITECT:	
ST. LOUIS, MO 63125		SIZE: PROJECT NO	DWG DESCRIPTION
Website: www.aalco.com (800) 537-1234		8x11	REV
FILE PATH:		SCALE: 1" = 1'0"	SHEET