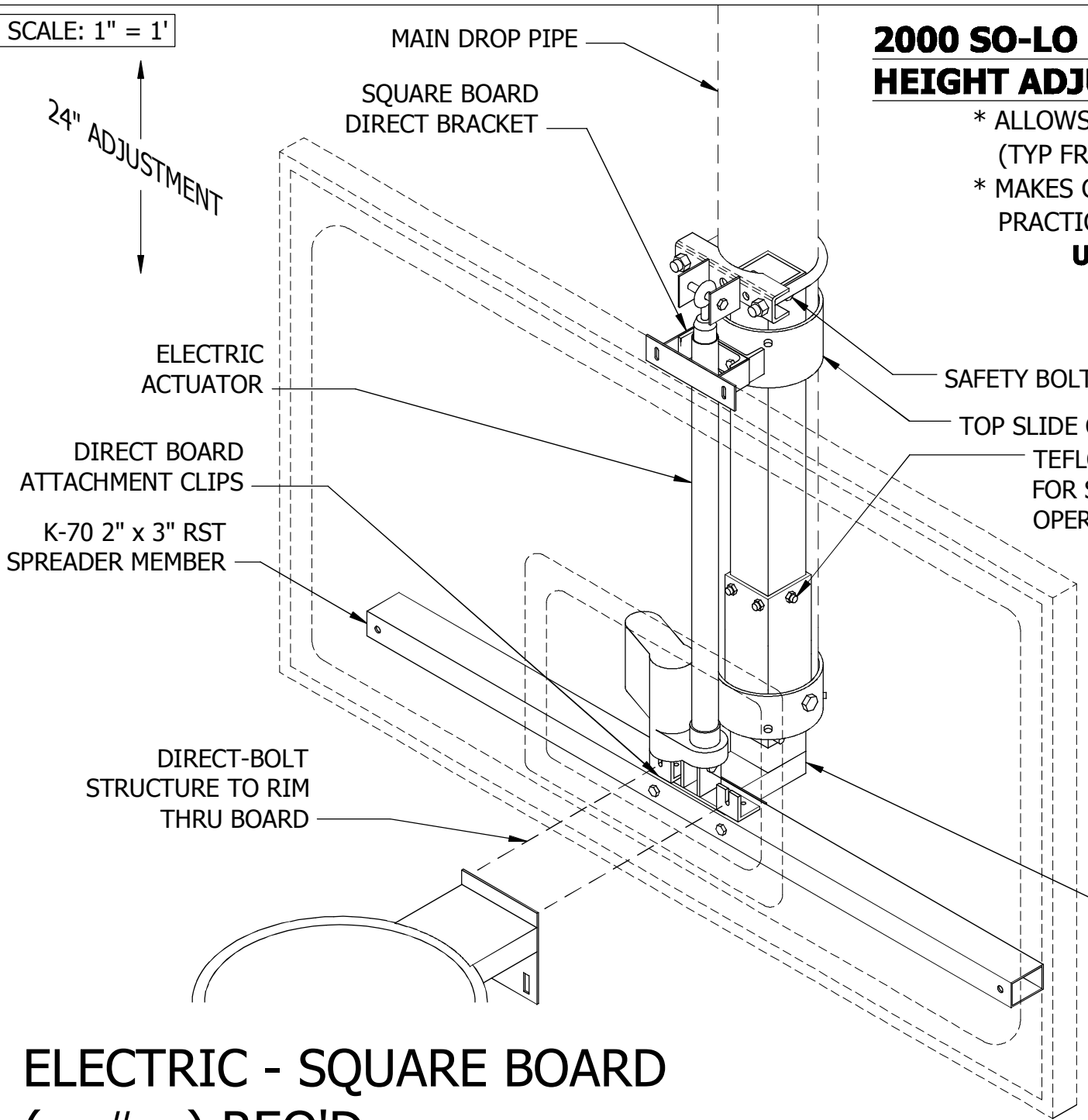


SCALE: 1" = 1'

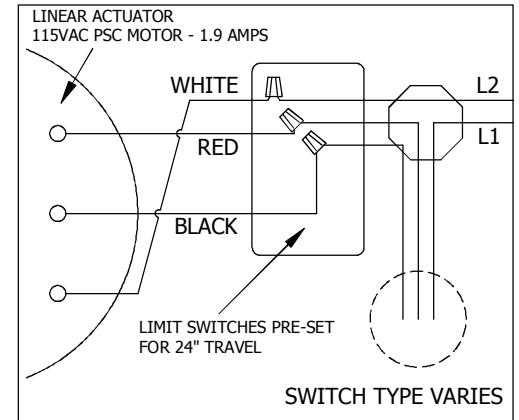
2000 SO-LO GLIDE BACKBOARD HEIGHT ADJUSTOR

- * ALLOWS 24" ADJUSTMENT OF BACKBOARD (TYP FROM 10' TO 8' GOAL A.F.F.)
- * MAKES GOALS MORE ACCESSABLE FOR PRACTICE OR YOUNGER CHILDREN.

U.S. PATENT #6,802,790 B2



ELECTRICAL WIRING DIAGRAM



**SLIDING RAM
(INCLUDES HEIGHT
INDICATOR STICKER)**

**ELECTRIC - SQUARE BOARD
(#) REQ'D**

 AALCO MANUFACTURING COMPANY 1650 AVENUE "H" ST. LOUIS, MO 63125 1-314-544-4300 1-800-537-1259 FAX: 1-314-544-2386 www.aalcomfg.com		PROJECT	
		CITY/STATE	
		ARCHITECT	
		DEALER	
CONTRACTOR		JOB NO.	
REVISIONS		DATE	
BY		SHEET	
SCALE NTS		DRAWN BY P. POHRER	
SPEC SECTION 11480			

M1/