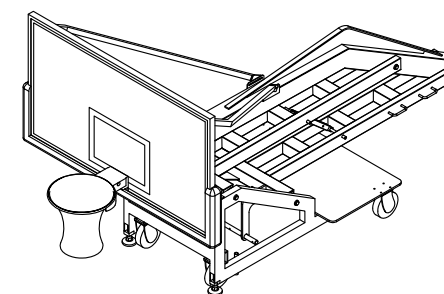
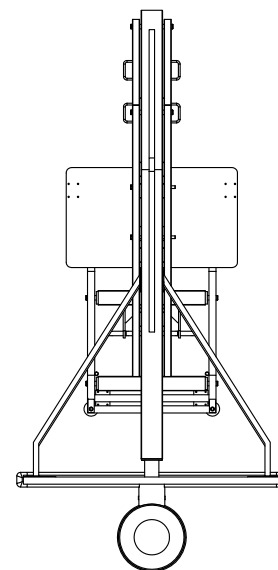
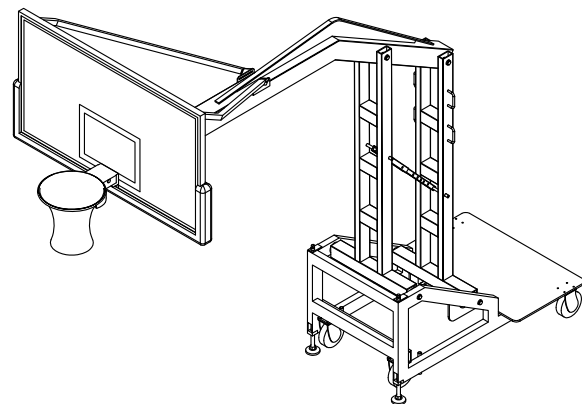
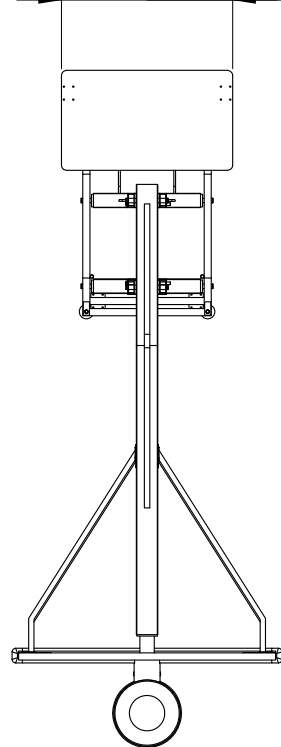
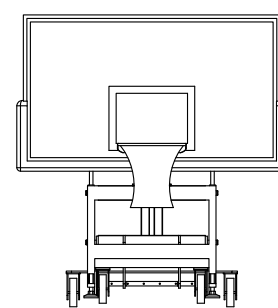
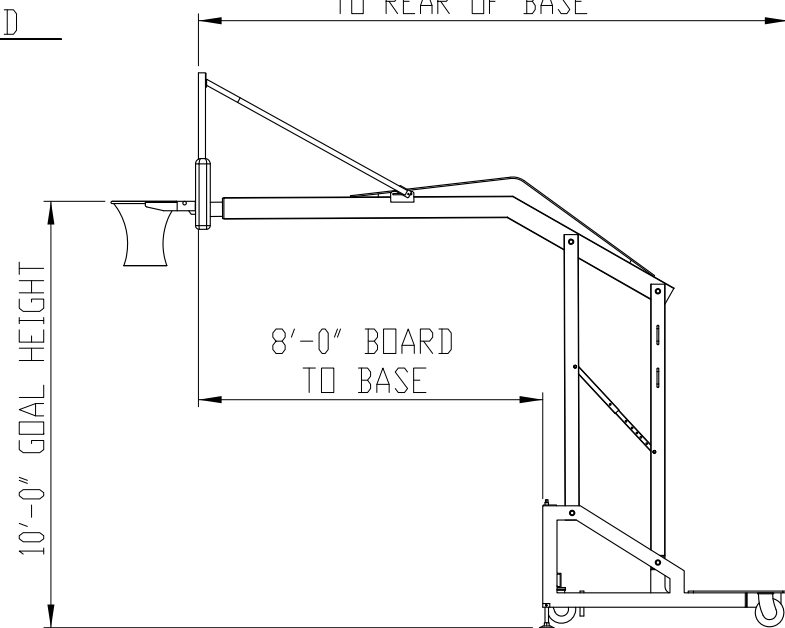


4' 0" BASE WIDTH

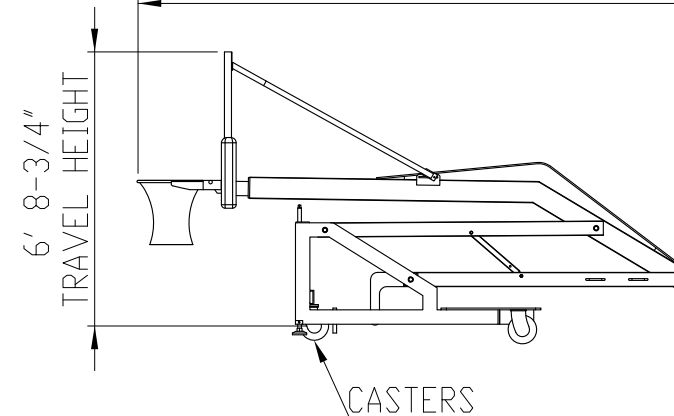


13' 9-1/4"  
BOARD FACE  
TO REAR OF BASE

GOAL  
BACKBOARD




13' 0-7/8"  
TRAVEL LENGTH



LEVELING FEET

PRO-GOAL 547-96 ( # ) REQ'D

 <b>AALCO</b> MANUFACTURING COMPANY 1650 AVENUE "H" ST. LOUIS, MO 63125 1-314-544-4300 1-800-537-1259 FAX: 1-314-544-2386 www.aalcomfg.com		PROJECT	
		CITY/STATE	
		ARCHITECT	
		DEALER	
CONTRACTOR		JOB NO	DATE
REVISIONS	BY	SCALE	DRAWN BY
		NTS	MLJ
		SHEET	
SPEC SECTION 11480			

M1/