

DETAIL A
SCALE: 6"=1'

Bubble @
2'-0" A.F.F.

Insert a random 6' piece of 3.5" steel tubing into sleeve during installation.

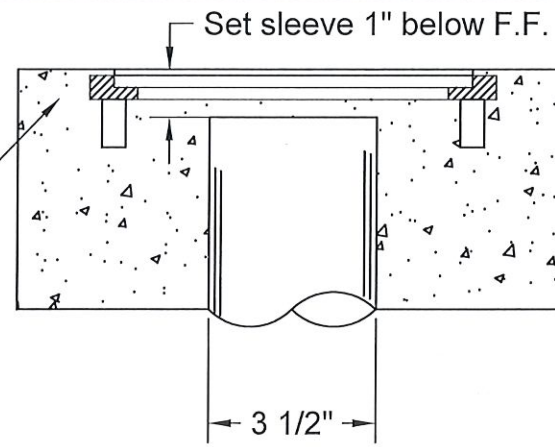
Set sleeve 1" below finished floor

Scale: 1-1/2"=1'-0"

(Qty.) REQUIRED MODEL GS-35 VOLLEYBALL FLOOR SLEEVES

SCALE: VARIES

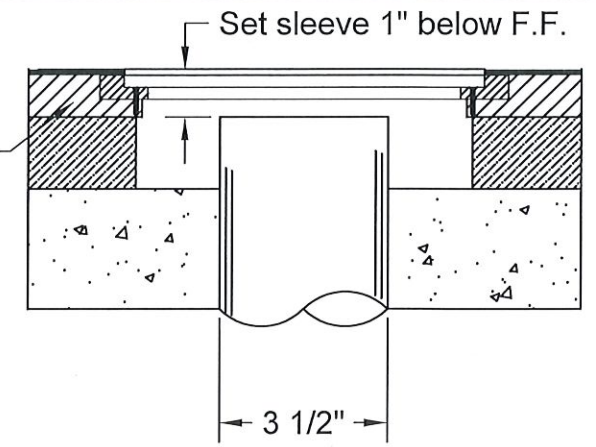
Ring can be secured to concrete w/ flat-head machine screw, or pressed into place w/ 1/4" bolts and nuts



TILE OVER CONCRETE

Scale: 3"=1'-0"

Carefully router wood floor, then secure ring to floor w/ #6 X 3/4 FHWS

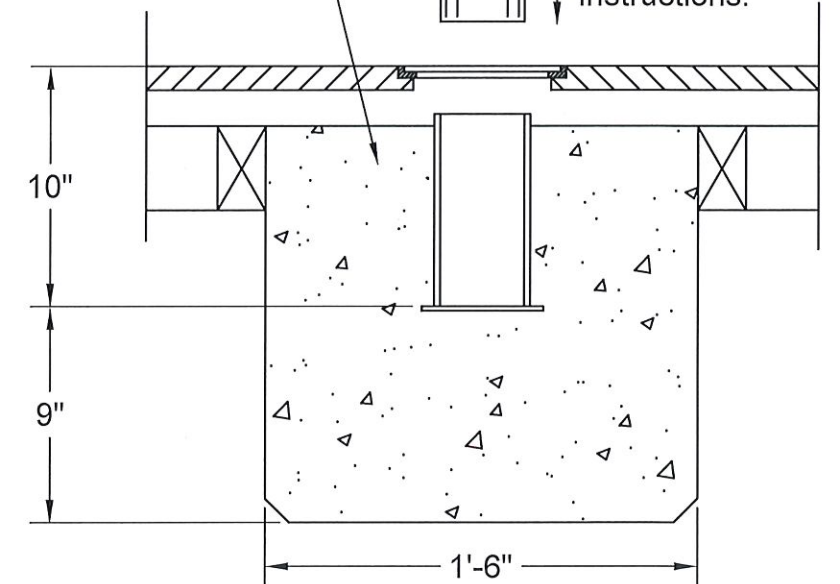


WOOD OVER CONCRETE

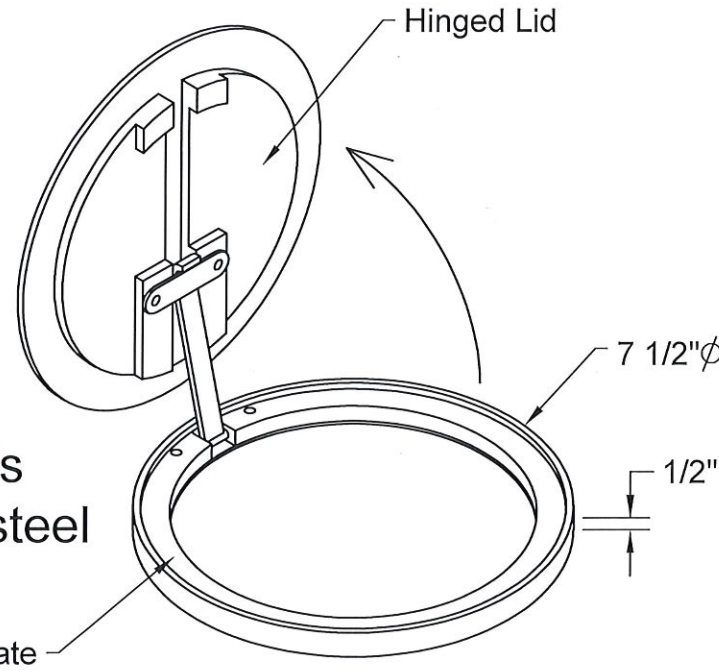
Scale: 1-1/2"=1'-0"

Recommend reinforcing slab at sleeve location. core drill at later date for sleeve installation

Insert a 3.5" x 6' pipe into sleeve during installation. Follow installation instructions.




**SLEEVE SPACING: 36' O.C. FOR VOLLEYBALL
20' O.C. FOR BADMINTON**



Cover, Ring, and Hinge components are brass-plated steel

Scale: 1-1/2"=1'-0"

DRAWN: John Buese	PROJECT NAME:
DATE: 01/14/2020	ADDRESS:
P.O. NUMBER:	CONTRACTOR:
 <p>AAICO QUALITY ATHLETIC EQUIPMENT 1650 AVENUE H - ST. LOUIS, MO 63125 www.aaicomfg.com (800) 537-1259 SINCE 1946</p>	ARCHITECT:
	SHEET SIZE: 11"x17"
PROJECT NO:	SHEET 0
PATH:	REV 0