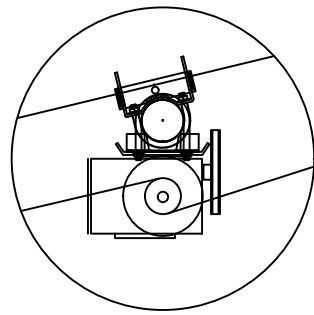
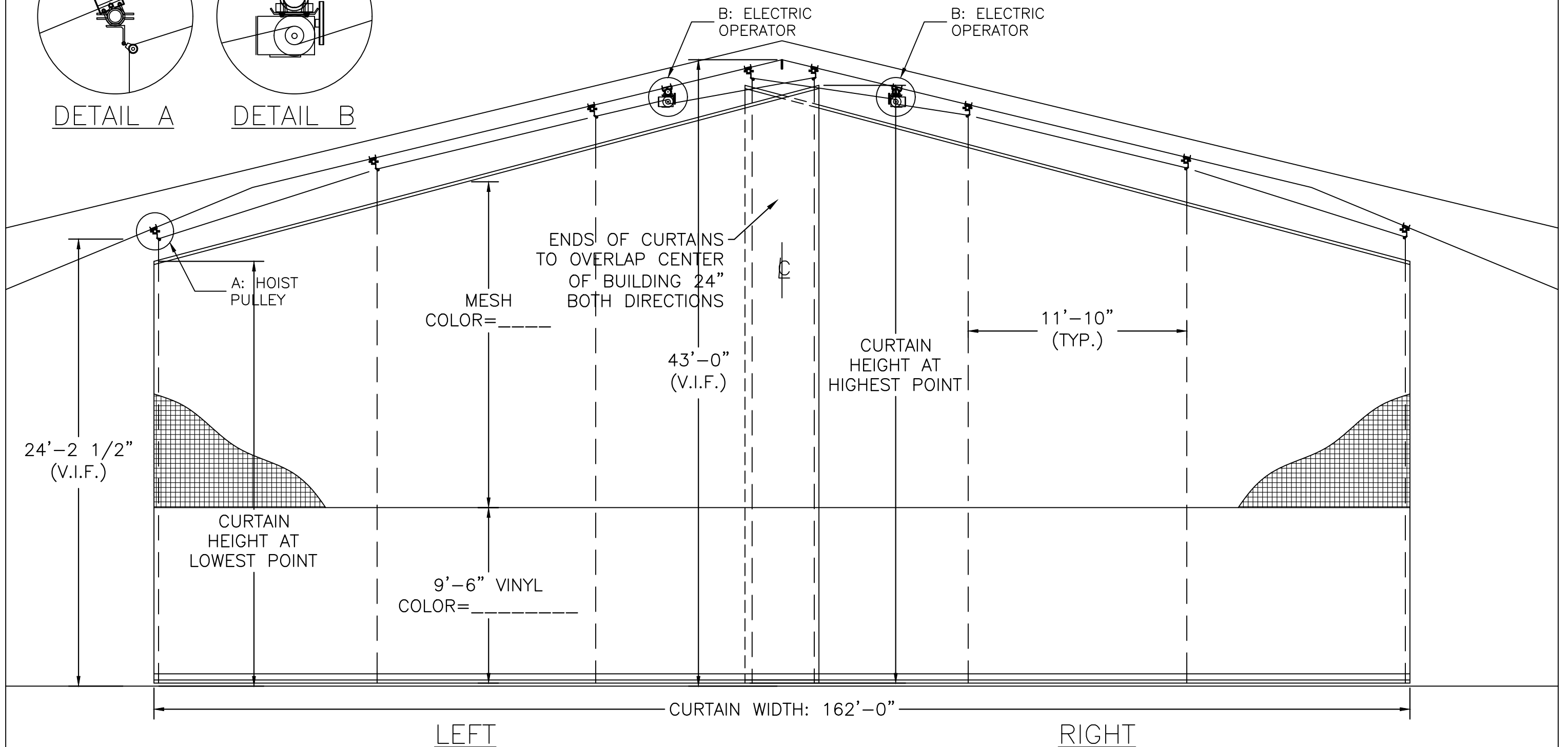


DETAIL A



DETAIL B



**IMPORTANT NOTE:**  
 THE ARCHITECT, JOB SUPERINTENDENT OR OWNER MUST VERIFY THE LOCATION'S OF ALL GYM EQUIPMENT AALCO MFG. CO. IS TO SUPPLY, EG: BASKETBALL GOAL'S, GYM DIVIDER CURTAIN'S, WRESTLING MAT HOIST'S, BATTING/GOLF CAGE'S & ETC. VERIFICATION OF ALL EQUIPMENT MUST BE MADE BY THE BEFORE ANY FABRICATION MAY BEGIN.  
 Approval Signature: X \_\_\_\_\_  
 Printed Name: X \_\_\_\_\_ Date: \_\_\_\_\_

1 REQUIRED MODEL #VSCC (VERTICAL STACK SLOPE FOLD)  
 MULTIPURPOSE ROOM SCALE: 3/16"=1'0"

DRAWN BY: ganderson		PROJECT NAME: NEW CHISUM MULTIPURPOSE ROOM	
DATE DRAWN: 06/06/2018		ADDRESS:	
P.O. NUMBER:		CITY/STATE/ZIP: PARIS, TX 75462	
		DEALER/CONTRACTOR: HARRISON WALKER & HARPER	
		ARCHITECT: BOYNTON WILLIAMS	
SIZE: 11x17	PROJECT NO: 17805	DWG DESCRIPTION: GYM DIVIDER CURTAIN	REV:
QUALITY ATHLETIC EQUIPMENT SINCE 1946 1650 AVE. H ST. LOUIS, MO 63125 Website: www.aalco.com (800) 537-1259		SCALE: 3/16"=1'0"	SHEET 2
FILE PATH: M1\17800-17899\17805\02-CURTAIN VSCC.dwg			