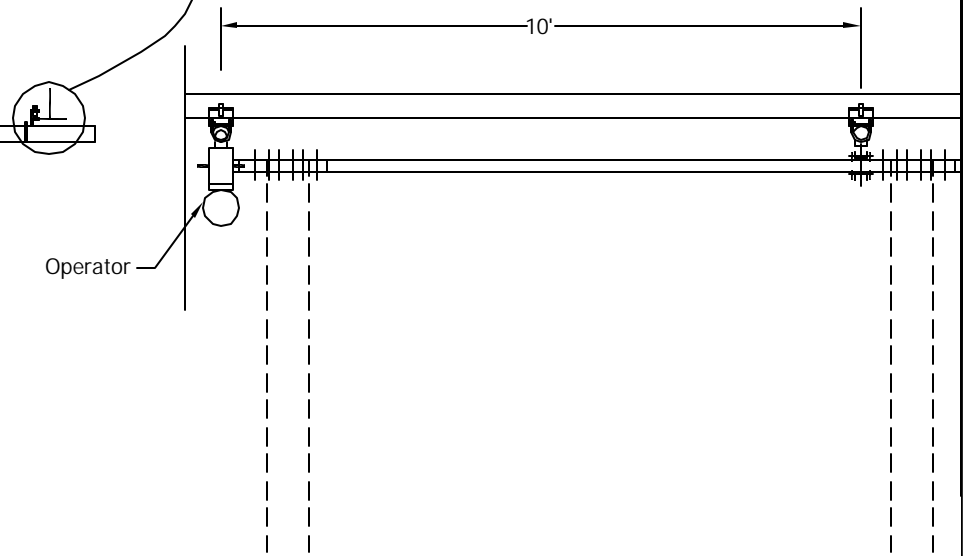
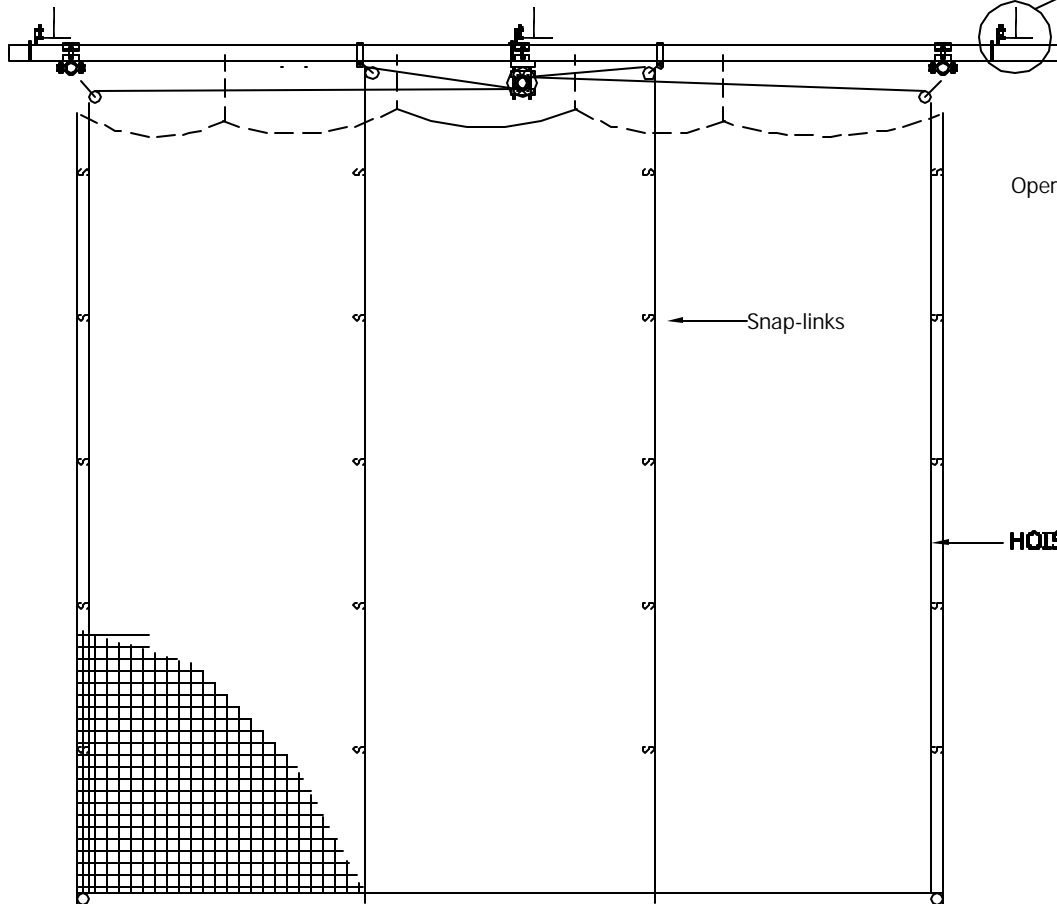


ATTACHMENT DETAIL (4X SCALE)



BATTING CAGE DETAILS

AALCO MANUFACTURING COMPANY		
1650 AVE H ST LOUIS MO 63125		
PROJECT:		
ARCHITECT:		
MFR'S REP:		
GEN. CONTRACTOR:		
REVISIONS	SCALE 3/8" = 1'	DWG. NO
	DATE 5-5-00	DWG. BC116SC0
	DRAWN BY PRV	

P/BCAGE BC116SC0
SPEC SECTION 11480