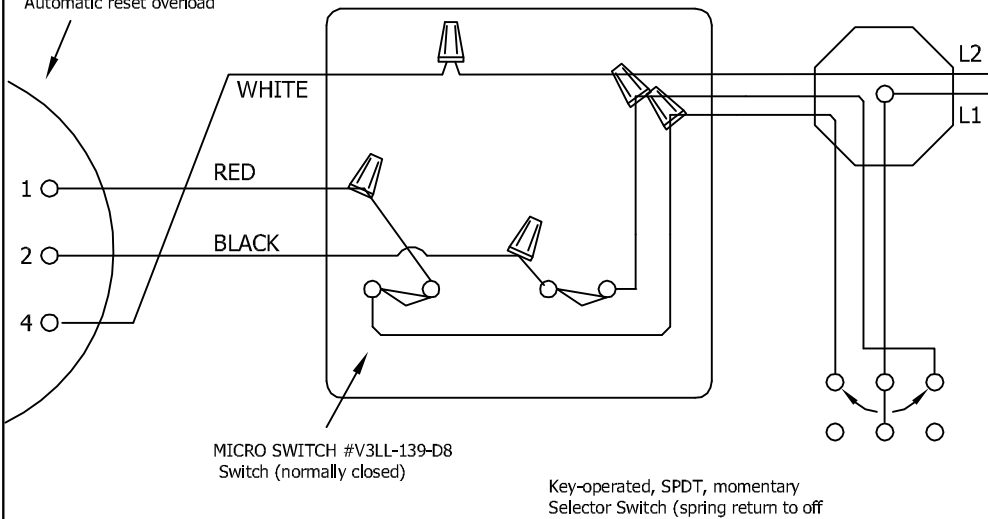


3/4 H.P.
115VAC, 1625 rpm, Cap-start,
Reversing motor, 1.00 SF, 8.2 flA
Automatic reset overload

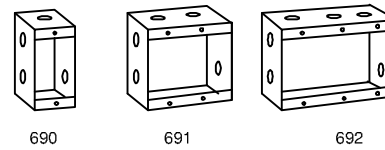


WIRING DIAGRAM - #74 & 75 HOISTS

4-24-94

FILE WD-DCAP

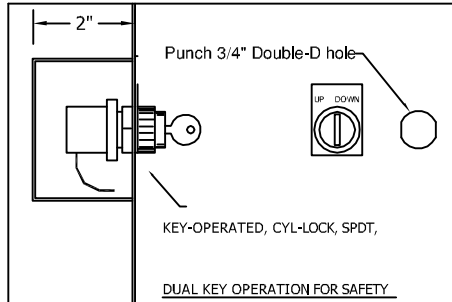
RECOMMENDED RACO MASONRY BOXES (BY ELECTRICAL CONTRACTOR)



RACO MASONRY BOXES
2 1/2" DEEP & 3 3/4" HIGH
RACO INC. SOUTH BEND, IN.
693(4 gang) 694(5 gang) 960(6 gang)

PASS & SEYMOUR
BLANK PLATES FOR DIRECT BOX MOUNTING

	Cat. No.	Type of Material
single gang	S13 97151	Smooth stainless Beveled stainless
two gang	S23 97152	Smooth stainless Beveled stainless
three gang	S33 97153	Smooth stainless Beveled stainless
4 gang	S34 97154	Smooth stainless Beveled Stainless
5 gang	S35 97155	Smooth stainless Beveled stainless
6 gang	S36 97156	Smooth stainless Beveled stainless



CIRCUIT BREAKER RATED AMP ... 15 AMP

POWER SERVICE WIRING

90' MAXIMUM RUN 12 GA.
90' TO 140' RUN 10 GA.
OVER 140' 8 GA.

NOTE: WIRING FROM BUILDING POWER TO MOTOR UNIT BY OTHERS

NEMA-1 ENCLOSURE:
CONTAINS MOTOR CONTROL
LIMIT SWITCHES, ALL PRE-
WIRED FROM FACTORY STD.
(LIMIT SWITCHES SET MAX UP/DOWN OPERATION)

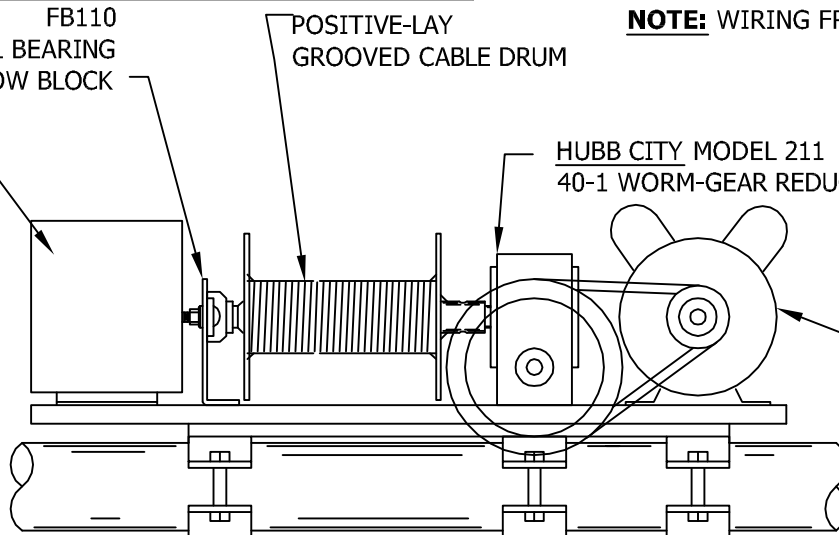
FB110
BALL BEARING
PILLOW BLOCK

POSITIVE-LAY
GROOVED CABLE DRUM

HUBB CITY MODEL 211
40-1 WORM-GEAR REDUCER

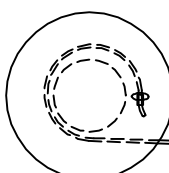
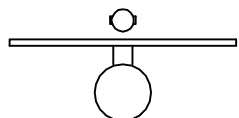
*****MOTOR IS TO BE CONTROLLED BY AALCO KEY SWITCHES OR AALCO CONTROL PANELS ONLY. OPERATING MOTORS BY NON O.E.M. CONTROLS WILL VOID ALL WARRANTIES.*****

115 VAC, 60 CYCLE, 1625 RPM, SINGLE-PHASE
CAP. START MOTOR
3/4 H.P. - FULL LOAD AMPS = 8.2

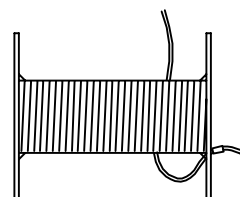


VITAL SAFETY NOTE:
CONTROL SYSTEM MUST BE PLACED
SO THAT ENTIRE MOVEMENT RANGE
OF ACTIVATED EQUIPMENT IS IN
DIRECT SIGHT DURING OPERATION

ELECTRICIAN NOTE:
PLACE JUNCTION BOX IN CEILING
OVER AREA OF BACKBOARD



NOTE:
NO MORE THAN
3/4 OF A WRAP



INSTALLATION METHOD FOR CABLE

#75 OPERATOR RC
(#) REQ'D - 3/4 H.P.

<p>AALCO MANUFACTURING COMPANY 1650 AVENUE "H" ST. LOUIS, MO 63125 1-314-544-4300 1-800-537-1259 FAX: 1-314-544-2386 www.aalcomfg.com</p>		PROJECT	
		CITY/STATE	
		ARCHITECT	
		DEALER	
CONTRACTOR		JOB NO	DATE
REVISIONS	BY	SCALE NTS	DRAWN BY P. POHRER
			SHEET
SPEC SECTION 11480			