

# Aalco Model #28HS4:

## Specifications:

This goal is designed to absorb and decelerate the force when a player hangs from the rim, and at the same time providing a true rebound similar to that of a fixed goal.

This goal incorporates a ball bearing positive latch mechanism which holds the rim in playing position until a preset weight or pressure of 240lbs is applied to the rim, at which point the rim pivots downward. When that pressure is released, a return spring snaps the rim back into playing position. This positive latch mechanism is self centering for years of trouble free use.

## Features:

The rim is made of 5/8" round cold rolled material and formed to an exact 18" inside diameter.

Net ties are of the continuous "ram-horn" style, and are made of 9 gauge, high tensile strength steel. They are hand welded to the rim for additional strength.

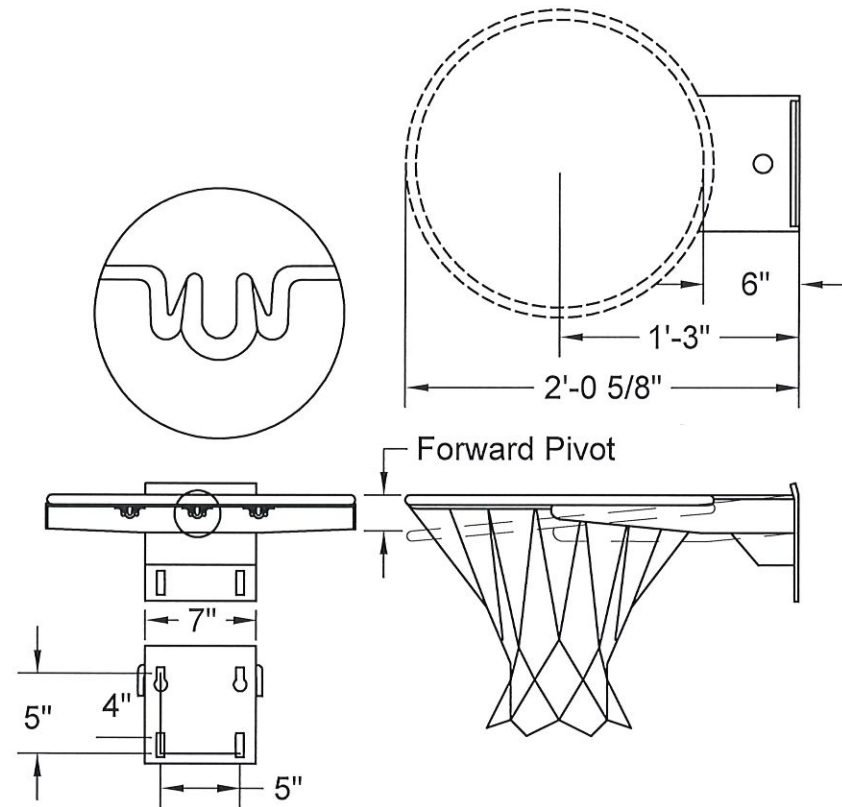
Once peice formed box assembly with universal hole pattern to fit standard institutional backboard mountings from 5" x 4" to 5" x 5". Goal also features a keyhole mounting system for easy installation.

Goal is finished in electrostatic powder coated orange.

This goal has a three year unconditional warranty, and a 10 year warranty on the detent mechanism. Warranty not valid for outdoor use, or if used in ways not intended.

Packaged two to a box, and shipped with 12 loop heavy duty braided nylon net, and plated mounting hardware.

Shipping weight: 50lbs/pair.




## Material Compliance

Aluminum Extrusions:	ASTM B221
Steel plates, bars:	ASTM A36
Steel pipe:	ASTM A53
CF Steel Tube:	ASTM A500, Grade A
Steel Mech. Tube:	ASTM A513
Maleable-Iron castings:	ASTM A47
Hoist Cable:	1/4"-7x19 Galv. Aircraft Cable

# REQUIRED MODEL #28HS4

SCALE: 1"=1'-0"

DRAWN: John Buese	PROJECT NAME:	
DATE: 09/23/2019	ADDRESS:	
P.O. NUMBER:	CONTRACTOR:	
	ARCHITECT:	
	SHEET SIZE: 8.5"x11"	DESCRIPTION: 28HS4 Safe-Release Goal
QUALITY ATHLETIC EQUIPMENT 3409 AVONDALE HWY - ST. LOUIS, MO 63133 WWW.AALCOEQ.COM (636) 330-3200 FAX: 231-1111	PROJECT NO:	REV: 0