

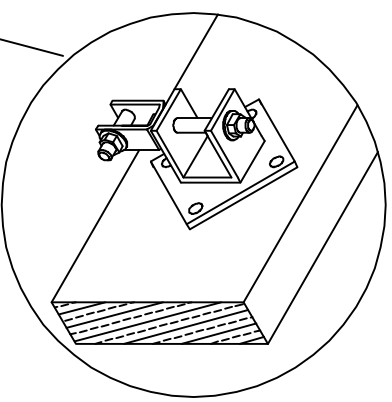
ⓐ 1-1/2" O.D. PIPE
(LENGTH = EXT LESS 13")

ⓑ K2 PIPE CLAMP
(7/16" X 1-1/4" M/BOLTS)

5 1/8"

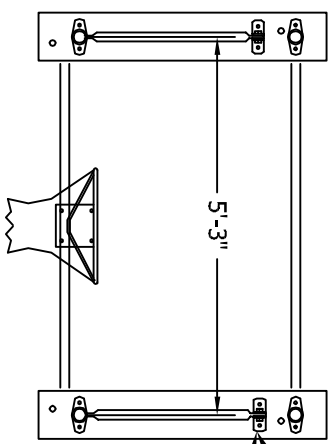
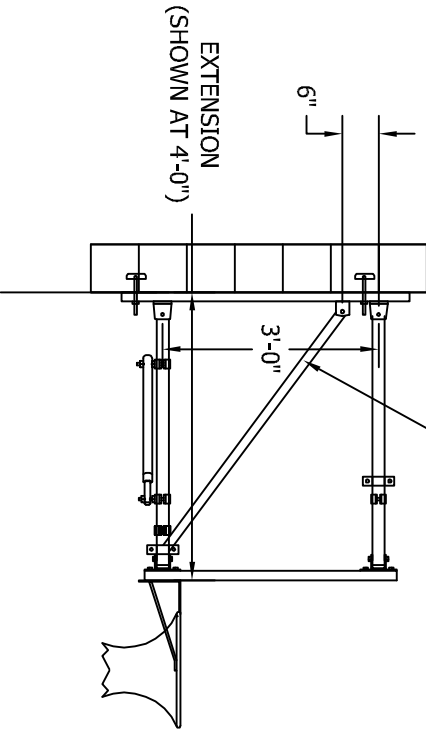
#22SF FOLDING WALL MODEL
(# REQ'D WITH # EXT.)

6'-4"



FITTING ATTACHES TO STD.
PINE 2 X 8 ANCHOR BOARD.
(4 X SCALE)

L-CLIPS (X 2)
W/ 3/8" ELEV. BOLT (X 2 EA.)



SCALE: 3/8" = 1'

		PROJECT
MANUFACTURER	CITY/STATE	
ADDRESS	ARCHITECT	
3100 AVENUE 512		
HOUSTON, TEXAS 77057	DEALER	
TEL: 713-464-4200		
FAX: 713-464-4200	CONTRACTOR	
WWW.AETCO.COM		
DESCRIPTION	REV	DATE
		1/27/01
		DR/AN/ST
		SH/ST

SPEC SECTION 1.280