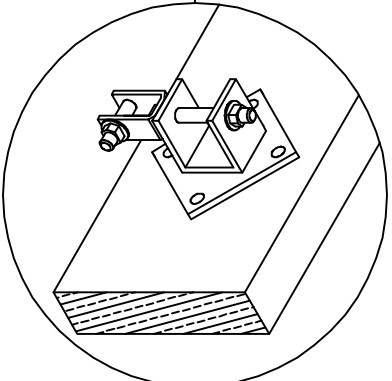
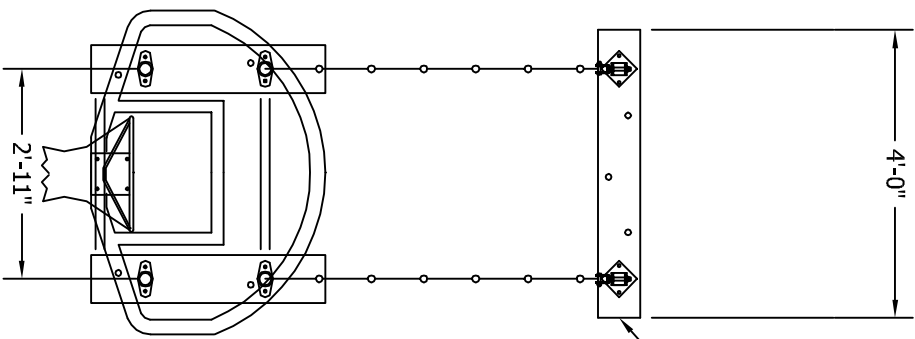
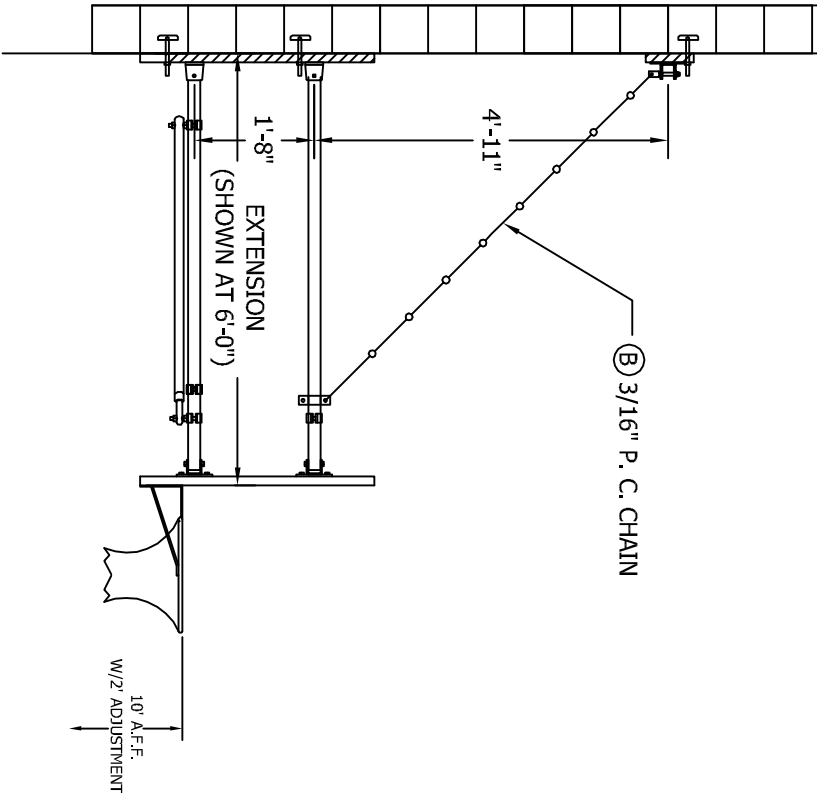


#22SF FOLDING WALL MODEL
 (_____ REQ'D WITH _____ EXT.)



FITTING ATTACHES TO STD.
 PINE 2 X 8 ANCHOR BOARD.
 (4 X SCALE)

SCALE: 3/8" = 1'

		PROJECT
MANUFACTURING COMPANY 1100 AVENUE 74 SUITE 200 FARMINGTON, CT 06031 TEL: 860-646-4300 FAX: 860-646-4306 www.aecofirm.com		CITY/STATE
ARCHITECT	DESIGNER	CONTRACTOR
DATE	DATE	DATE
DRAWN BY	CHECKED BY	DATE
SCALE: 1/2" = 1'	SPEC SECTION 1.18.0	