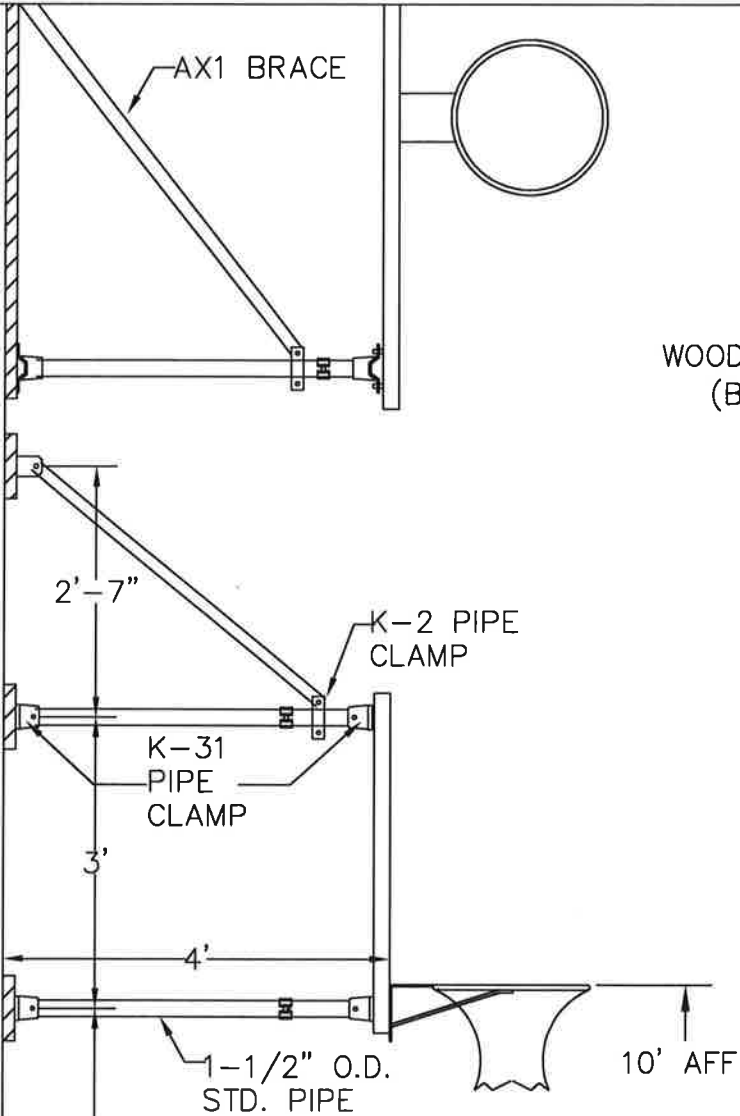
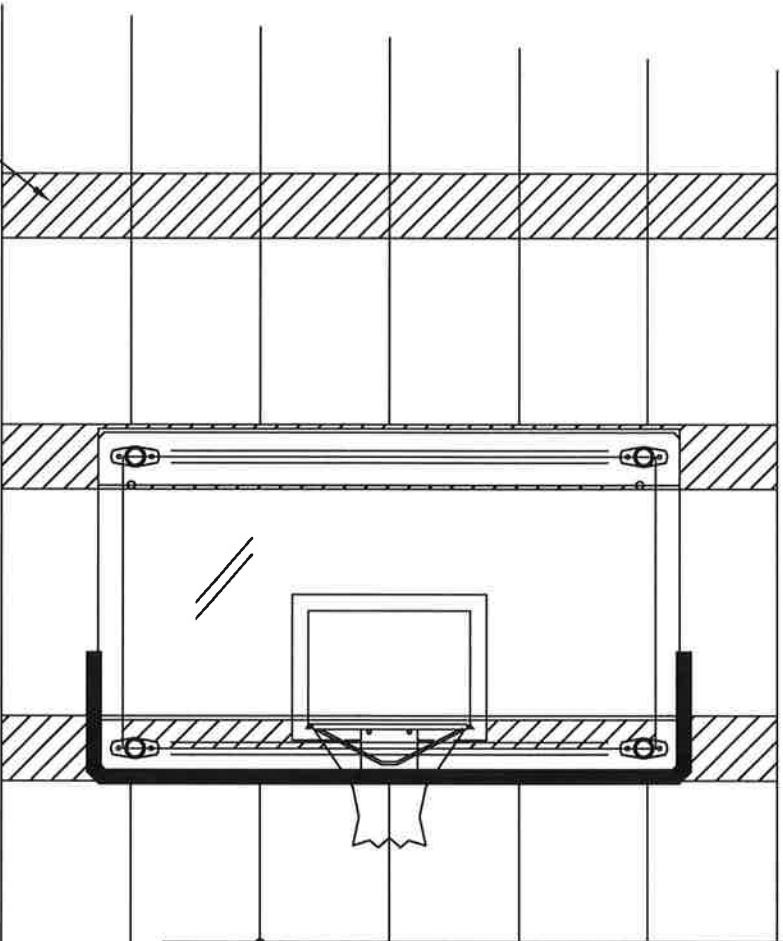


MODEL 20SW STATIONARY WALL MOUNT




2" X 6"
WOOD BLOCKING
(BY OTHERS)



9'-9"
A.F.F.

9'-9" A.F.F.
TO CENTER

DESIGN PURPOSES ONLY
(REQ'D)

 AALCO MANUFACTURING COMPANY 1650 AVENUE "H" ST. LOUIS, MO 63125 1-314-544-4300 1-800-537-1259 FAX: 1-314-544-2386 www.aalcomfg.com		PROJECT	
		CITY/STATE	
		ARCHITECT	
		DEALER	
		CONTRACTOR	
JOB NO		DATE	
REVISIONS	BY	SCALE NONE	DRAWN BY G. ANDERSON
		SHEET	
SPEC SECTION 11480			